

**GS1 standards in the logistic:  
Logistic information flow with EANCOM® 2002  
Version 2.3**

**Delivery report  
(DESADV)**

**EANCOM® 2002 Syntax 3**

Introduction.....	2
Business Terms .....	4
Branching Diagram .....	7
Message structure .....	14
Segment Layout .....	16
Used Codes.....	70
Example.....	127

## **Introduction**

The aim of the brochure on hand is to offer documentation describing the exchange of purchase order data between business partners.

The basis of this elaboration is the international standard EANCOM® 2002. The message type DESADV 007 is used to transmit relevant data. GEFEG.FX (Gefeg mbH, Berlin) was used as the documentation tool.

Please be aware to know that this booklet does not replace the complete specifications in the original chapters or other relevant instructions within the EANCOM® 2002 documentation. Instead, it deals with the description of segments, data elements and codes to be used for a specific task.

The current documentation has been produced by the GS1 Germany GmbH in Cologne. GS1 Germany assumes no liability for any damages incurring from the use of this documentation. This brochure or extracts thereof may only be published or forwarded to third parties with the express written consent of GS1 Germany, which holds copyright on this work.

### Important note:

To fulfill the requirements of directive 2003/58/EG, article 4, C058 has been opened in NAD segments identifying a message sender. If the place in the 5 DE 3124 is not sufficient, the following RFF segments can be used, qualified with DE 1153 = GN. DE 1154 has got a capacity of 70 digits. Only in those cases, when no RFF segment follows NAD, a RFF+GN can be used in the heading section of the message. Within the EDI recommendations of GS1 Germany this is only applicable for the messages REMADV and SLSFCT.

This brochure offers different ways to start:

"Introduction" contains a short description of the respective message.

"Business Terms", is a table which links directly to the sequence numbers of the segments.

"Diagram", is a hierarchical graphic depiction of all used segments in the same sequence as they are defined in the EANCOM® message. However, every segment is shown only once, and it is therefore possible that the sequence numbering is interrupted.

"Structure", is a list of all used segments in the same sequence as they are defined in the EANCOM® message. In general, for each piece of information one single segment is provided. Exeptions may arrise when the the occurence of a segment is limited and can contain alternative information (e.g., segment BGM).

"Segmentlayout", an illustration that has been chosen to match the business terms (data from the inhouse application) with the elements from the EANCOM® syntax.

"Codes" contains a list of the codes used in the message.

"Examples", provides at least one message example with comments. Please note that, for technical reasons, the examples can contain component data element separators, which would otherwise be represented as data element separators in the original messages.

"Print" opens the PDF documentation for the corresponding message.

The following conventions apply to this brochure:

## **Introduction**

---

Message structure

Heading section

Specification of buyer and supplier, message date and number.

Detail section

Specification of SSCC to identify shipments and quantity.

Summary section

Specification of totals of the message.

**Business Terms**

Business Term	EANCOM-Segment		Data Element	
	Seg.-No.	Segment SG	DEG	DE
Acknowledgement request	2	UNB		0031
Additional warehouse identification	14	LOC SG2#1	C517	3225
Address for reverse routing	2	UNB	S002	0008
Application reference	2	UNB		0026
Batch number	49	PIA SG10#3\SG17#1	C212	7140
Best before date	51	DTM SG10#3\SG17#1	C507	2380
Character set	2	UNB	S001	0001
Component data element separator	1	UNA		UNA1
Creation date	5	DTM	C507	2380
Data element separator	1	UNA		UNA2
Decimal notation	1	UNA		UNA3
Delivered quantity	50	QTY SG10#3\SG17#1	C186	6060
Delivery date	6	DTM	C507	2380
Delivery note (s)	11	RFF SG1#4	C506	1154
Document number	4	BGM	C106	1004
EANCOM	2	UNB		0032
End of the transmission file	53	UNZ		0036
File creation date	2	UNB	S004	0017
File creation time	2	UNB	S004	0019
Gross weight of a package	33	MEA SG10#2\SG11#1	C174	6314
Gross weight of a package (despatch units / articles)	41	MEA SG10#3\SG11#1	C174	6314
Gross weight of the consignment	28	MEA SG10#1\SG11#1	C174	6314
GTIN	46	LIN SG10#3\SG17#1	C212	7140
Height of package	35	MEA SG10#2\SG11#1	C174	6314
Height of package (despatch units / articles)	43	MEA SG10#3\SG11#1	C174	6314
Height of the consignment	30	MEA SG10#1\SG11#1	C174	6314
Hierarchy level	31	CPS SG10#2		7166
Hierarchy level (despatch units / articles)	39	CPS SG10#3		7166
Identification of the freight forwarder	20	NAD SG2#4	C082	3039
Identification of the logistic service provider	22	NAD SG2#5	C082	3039
Identification of the place of loading	16	NAD SG2#2	C082	3039
Identification of the warehouse / part of warehouse	13	NAD SG2#1	C082	3039

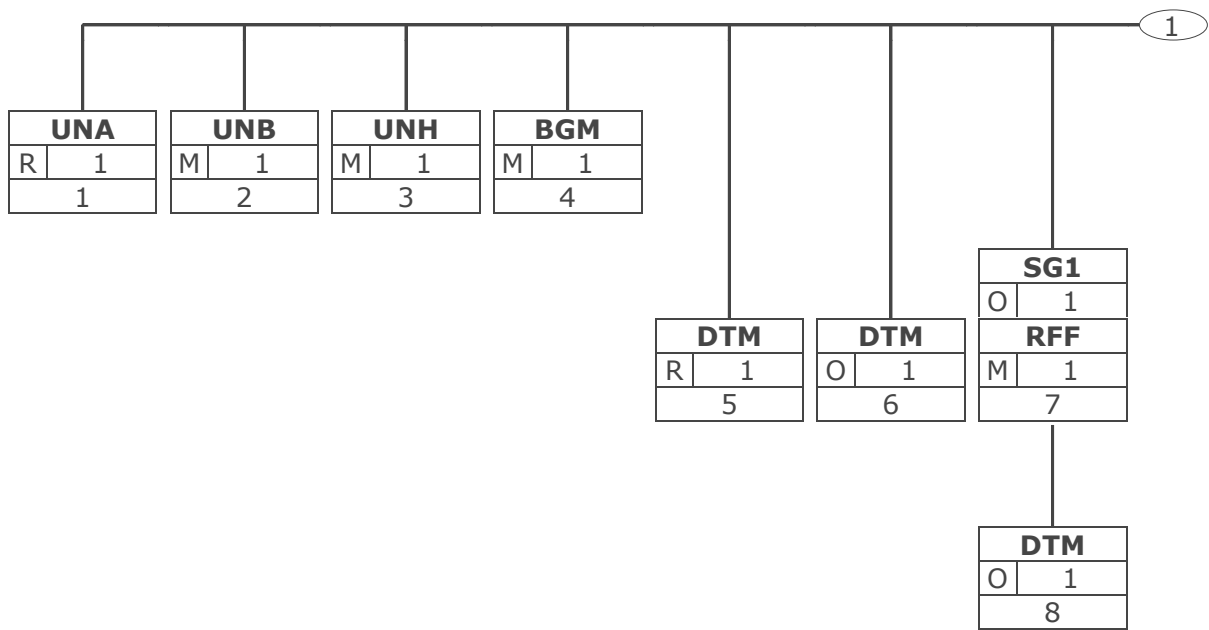
**Business Terms**

Business Term	EANCOM-Segment		Data Element	
	Seg.-No.	Segment SG	DEG	DE
Indentification of the receiver of the transmission file	2	UNB	S003	0010
Indentification of the sender of the transmission file	2	UNB	S002	0004
Interchange control reference, beginnig	2	UNB		0020
Interchange control reference, end	53	UNZ		0020
Line item number	46	LIN SG10#3\SG17#1		1082
Marking with number of a package	38	PCI SG10#2\SG11#1\SG13#2		4233
Marking with SSCC (despatch units)	36	PCI SG10#2\SG11#1\SG13#1		4233
Marking with SSCC (despatch units)	44	PCI SG10#3\SG11#1\SG13#1		4233
Message reference number	3	UNH		0062
Number of a package	38	PCI SG10#2\SG11#1\SG13#2	C210	7102
Number of messages or message groups	53	UNZ		0036
Number of packages (Consignment)	27	PAC SG10#1\SG11#1		7224
Number of packages (despatch units / articles)	40	PAC SG10#3\SG11#1		7224
Number of packages (despatch units)	32	PAC SG10#2\SG11#1		7224
Order date	8	DTM SG1#1	C507	2380
Order number (buyer)	7	RFF SG1#1	C506	1154
Order number (source of the goods)	9	RFF SG1#2	C506	1154
Password interchange	2	UNB	S005	0022
Promotional product	48	PIA SG10#3\SG17#1	C212	7140
Release character	1	UNA		UNA4
Reserved for future use	1	UNA		UNA5
Routing address	2	UNB	S003	0014
Seal number connected to the equipment	25	SEL SG8#1		9308
Segment terminator	1	UNA		UNA6
Sequence of packages within the consignment	26	CPS SG10#1		7164
Sequence of the packages (despatch units / articles)	39	CPS SG10#3		7164
Sequence of the packages (despatch units)	31	CPS SG10#2		7164
Serial Shipping Container Code (SSCC)	37	GIN SG10#2\SG11#1\SG13#1\SG15#1	C208	7402

**Business Terms**

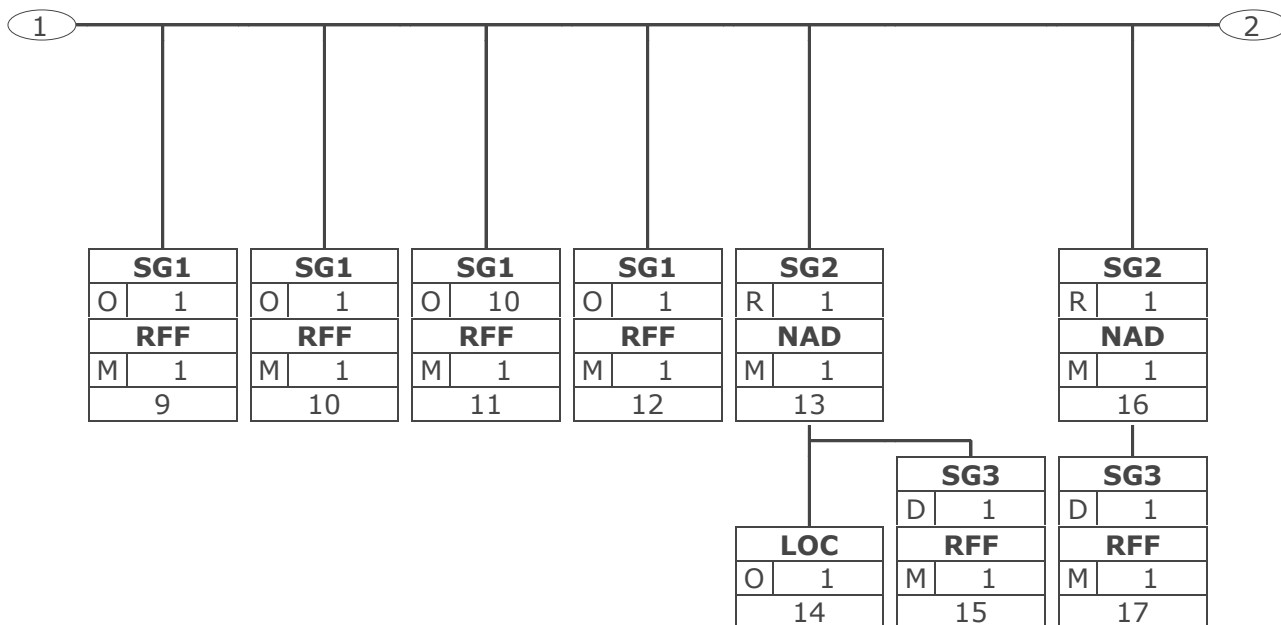
Business Term	EANCOM-Segment		Data Element	
	Seg.-No.	Segment SG	DEG	DE
Serial Shipping Container Code (SSCC)	45	GIN SG10#3\SG11#1\SG13#1\SG15#1	C208	7402
Statements on business letters	15	RFF SG2#1\SG3#1	C506	1154
Statements on business letters	17	RFF SG2#2\SG3#1	C506	1154
Statements on business letters	19	RFF SG2#3\SG3#1	C506	1154
Statements on business letters	21	RFF SG2#4\SG3#1	C506	1154
Statements on business letters	23	RFF SG2#5\SG3#1	C506	1154
Supplier identification	18	NAD SG2#3	C082	3039
Suppliers article number	47	PIA SG10#3\SG17#1	C212	7140
Syntax version	2	UNB	S001	0002
Test indicator	2	UNB		0035
Total number of segments	52	UNT		0074
Total volume of the consignment	29	MEA SG10#1\SG11#1	C174	6314
Transport document number	10	RFF SG1#3	C506	1154
Transport mode number	12	RFF SG1#5	C506	1154
Unit load device	24	EQD SG8#1	C237	8260
Unit of measurement	50	QTY SG10#3\SG17#1	C186	6411
Volume of package	34	MEA SG10#2\SG11#1	C174	6314
Volume of package (despatch units / articles)	42	MEA SG10#3\SG11#1	C174	6314

## Branching Diagram



Tag	Tag = Segment/Group Tag
St	MaxOcc
No	MaxOcc = Maximum occurrence of the segment/group; No = Consecutive segment number

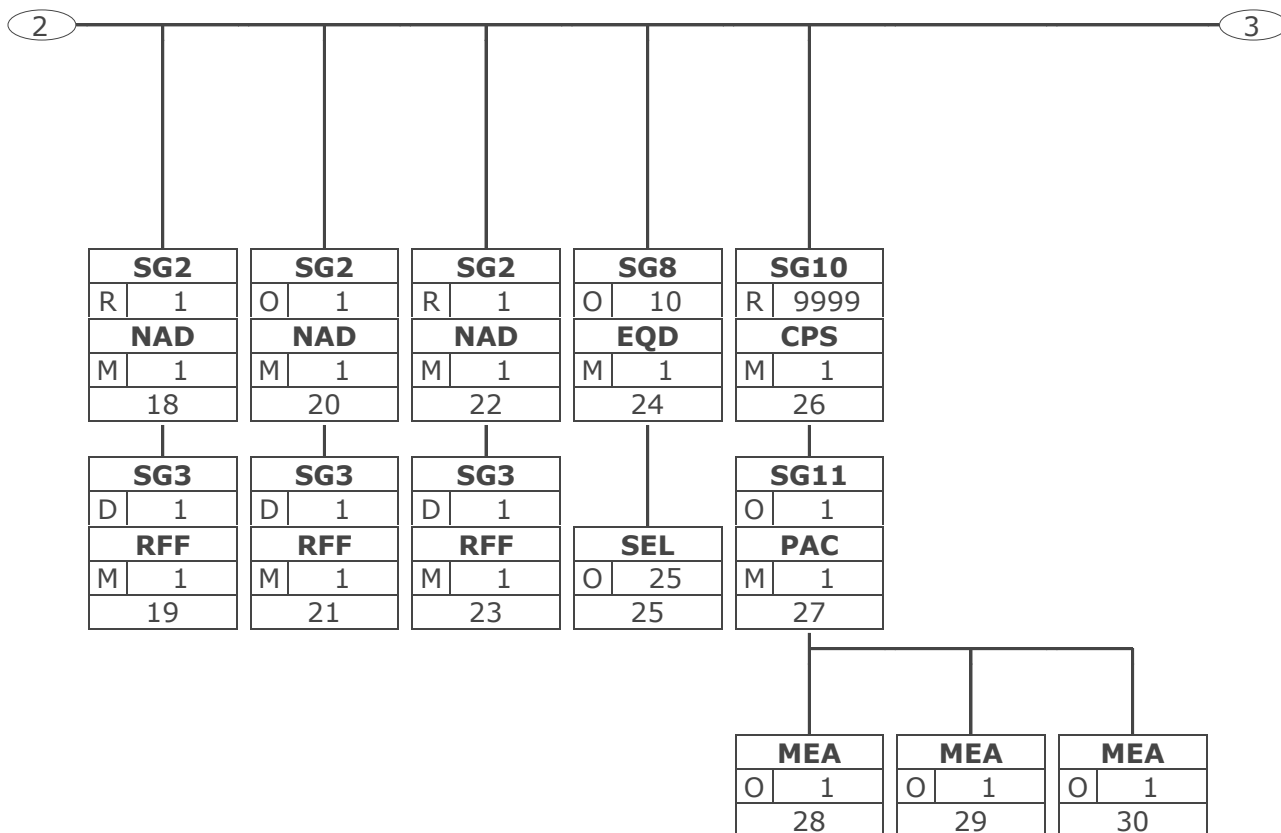
## Branching Diagram



Tag	Tag = Segment/Group Tag
St   MaxOcc	St = Status (M=Mandatory, C=Conditional, R=Required, O=Optional, A=Advised, D=Dependent)
No	MaxOcc = Maximum occurrence of the segment/group; No = Consecutive segment number

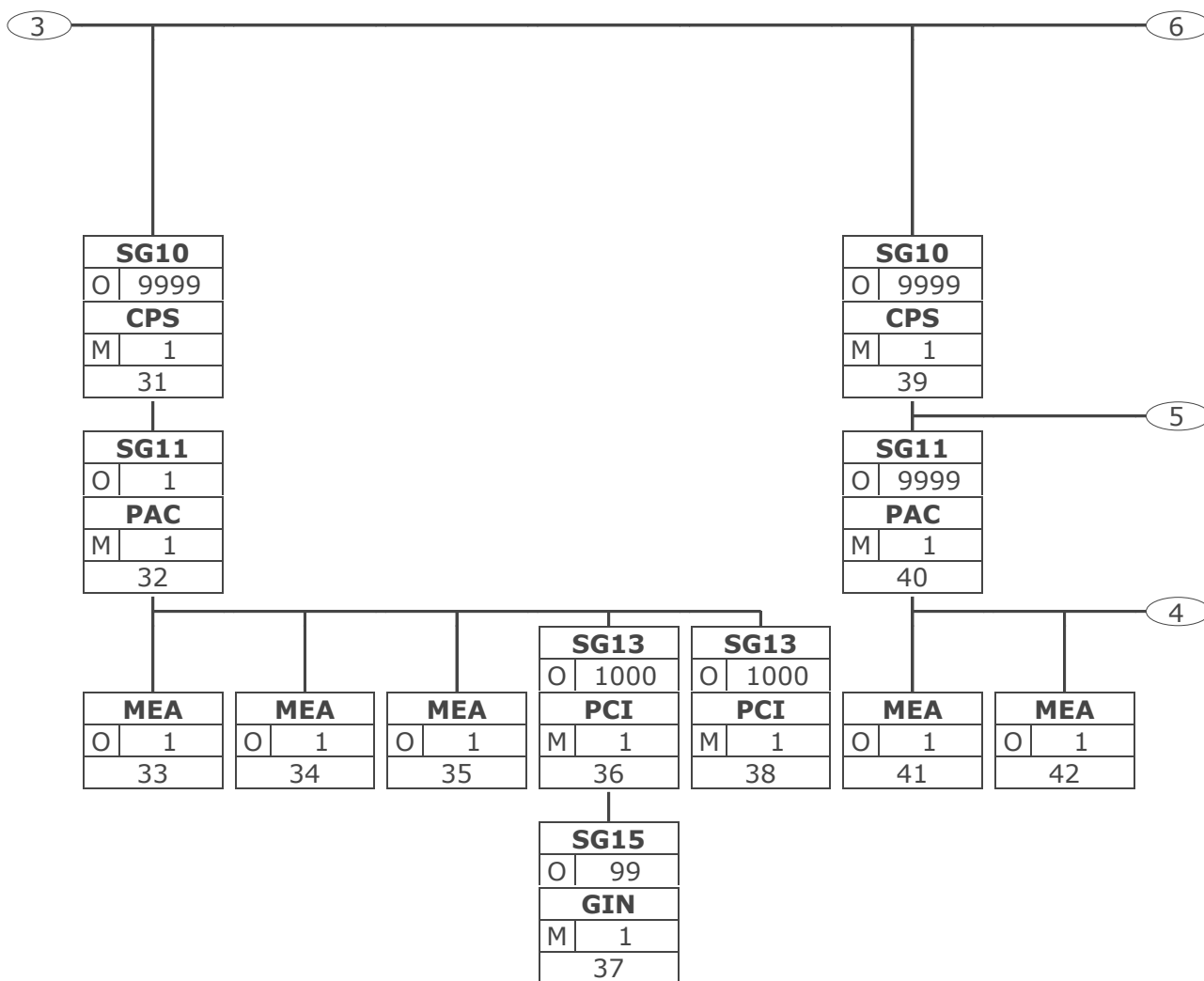


## Branching Diagram



Tag	Tag = Segment/Group Tag
St	MaxOcc St = Status (M=Mandatory, C=Conditional, R=Required, O=Optional, A=Advised, D=Dependent)
No	MaxOcc = Maximum occurrence of the segment/group; No = Consecutive segment number

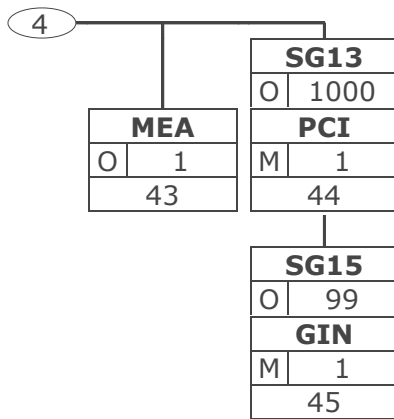
## Branching Diagram



Tag	Tag = Segment/Group Tag
St   MaxOcc	St = Status (M=Mandatory, C=Conditional, R=Required, O=Optional, A=Advised, D=Dependent)
No	MaxOcc = Maximum occurrence of the segment/group; No = Consecutive segment number

## Branching Diagram

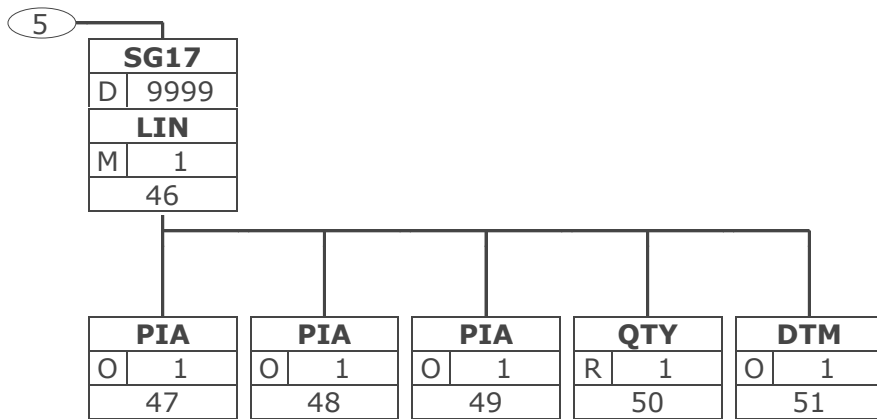
---



Tag	Tag = Segment/Group Tag
St   MaxOcc	St = Status (M=Mandatory, C=Conditional, R=Required, O=Optional, A=Advised, D=Dependent)
No	MaxOcc = Maximum occurrence of the segment/group; No = Consecutive segment number

## Branching Diagram

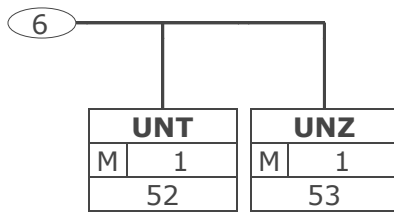
---



Tag	Tag = Segment/Group Tag
St   MaxOcc	St = Status (M=Mandatory, C=Conditional, R=Required, O=Optional, A=Advised, D=Dependent)
No	MaxOcc = Maximum occurrence of the segment/group; No = Consecutive segment number

## Branching Diagram

---



Tag	Tag = Segment/Group Tag
St   MaxOcc	St = Status (M=Mandatory, C=Conditional, R=Required, O=Optional, A=Advised, D=Dependent)
No	MaxOcc = Maximum occurrence of the segment/group; No = Consecutive segment number

## Message Structure

Seg.	No.	Status	Max Occ	Segment
UNA	1	R	1	Used character set
UNB	2	M	1	Beginning of transmission file
<b>Heading Section</b>				
UNH	3	M	1	Beginn of message
BGM	4	M	1	Document number
DTM	5	R	1	Creation date
DTM	6	O	1	Delivery date
SG1		O	1	RFF-DTM
RFF	7	M	1	Order number (buyer)
DTM	8	O	1	Order date
SG1		O	1	RFF
RFF	9	M	1	Order number (source of the goods)
SG1		O	1	RFF
RFF	10	M	1	Transport document number
SG1		O	10	RFF
RFF	11	M	1	Delivery note
SG1		O	1	RFF
RFF	12	M	1	Transport mode number
SG2		R	1	NAD-LOC-SG3
NAD	13	M	1	Identification of the warehouse / part of warehouse
LOC	14	O	1	Additional warehouse identification
SG3		D	1	RFF
RFF	15	M	1	Statements on business letters
SG2		R	1	NAD-SG3
NAD	16	M	1	Identification of the place of loading
SG3		D	1	RFF
RFF	17	M	1	Statements on business letters
SG2		R	1	NAD-SG3
NAD	18	M	1	Supplier identification
SG3		D	1	RFF
RFF	19	M	1	Statements on business letters
SG2		O	1	NAD-SG3
NAD	20	M	1	Identification of the freight forwarder
SG3		D	1	RFF
RFF	21	M	1	Statements on business letters
SG2		R	1	NAD-SG3
NAD	22	M	1	Identification of the logistic service provider
SG3		D	1	RFF
RFF	23	M	1	Statements on business letters
SG8		O	10	EQD-SEL
EQD	24	M	1	Unit load device
SEL	25	O	25	Seal number connected to the equipment
<b>Detail section consignment</b>				
SG10		R	9999	CPS-SG11
CPS	26	M	1	Sequence of packages within the consignment
SG11		O	1	PAC-MEA-MEA-MEA

Max. Occ. = Maximum occurrence of the segment/group, Status: M=Mandatory, C=Conditional, R=Required, O=Optional, A=Advised, D=Dependent

**Message Structure**

Seg.	No.	Status	Max Occ	Segment
PAC	27	M	1	Number of packages
MEA	28	O	1	Gross weight of the consignment
MEA	29	O	1	Total volume of the consignment
MEA	30	O	1	Height of the consignment
<b>Detail section despatch units</b>				
SG10		O	9999	CPS-SG11
CPS	31	M	1	Hierarchy level
SG11		O	1	PAC-MEA-MEA-MEA-SG13-SG13
PAC	32	M	1	Number of packages
MEA	33	O	1	Gross weight of a package
MEA	34	O	1	Volume of package
MEA	35	O	1	Height of package
SG13		O	1000	PCI-SG15
PCI	36	M	1	Marking with SSCC
SG15		O	99	GIN
GIN	37	M	1	Serial Shipping Container Code (SSCC)
SG13		O	1000	PCI
PCI	38	M	1	Kennzeichnung mit Paketnummer
<b>Detail section despatch units / articles</b>				
SG10		O	9999	CPS-SG11-SG17
CPS	39	M	1	Hierarchy level
SG11		O	9999	PAC-MEA-MEA-MEA-SG13
PAC	40	M	1	Number of packages
MEA	41	O	1	Gross weight of a package
MEA	42	O	1	Volume of package
MEA	43	O	1	Height of package
SG13		O	1000	PCI-SG15
PCI	44	M	1	Marking with SSCC
SG15		O	99	GIN
GIN	45	M	1	Serial Shipping Container Code (SSCC)
SG17		D	9999	LIN-PIA-PIA-PIA-QTY-DTM
LIN	46	M	1	GTIN article number
PIA	47	O	1	Suppliers article number
PIA	48	O	1	Promotional product
PIA	49	O	1	Batch number
QTY	50	R	1	Delivered quantity
DTM	51	O	1	Best before date
<b>Summary Section</b>				
UNT	52	M	1	End of message
UNZ	53	M	1	End of the transmission file

Max. Occ. = Maximum occurrence of the segment/group, Status: M=Mandatory, C=Conditional, R=Required, O=Optional, A=Advised, D=Dependent

## Segment Layout

No. Seg	St	Max. Occ.			
1	<b>UNA</b>	R 1	Service string advice		
To define the characters selected for use as delimiters and indicators in the rest of the interchange that follows.					
Business Term	DE	EDIFACT	Format	St	* Description
Component data element separator	UNA1	Component data element separator	an1	M	Default value: ":"
Data element separator	UNA2	Data element separator	an1	M	Default value: "+"
Decimal notation	UNA3	Decimal notation	an1	M	Default value: "."
Release character	UNA4	Release indicator	an1	M	Default value: "?"
Reserved for future use	UNA5	Reserved for future use	an1	M	(Default value: space )
Segment terminator	UNA6	Segment terminator	an1	M	Default value: "' '
<p>Segmentstatus: Mandatory</p> <p>The use of the UNA segment is mandatory, if character set "A" (UNB,DE0001) is not used. For international EDI the use of character set UNOA is recommended. For national (German) EDI the use of UNOC is reasonable because it contains lower case letters and umlauts.</p> <p>Example: UNA:+.?' '</p> <p>The UNA segment contains the default service string characters.</p>					

Max. Occ. = Maximum Occurrence, St = Status, \* = Restricted Codes  
 Status: M=Mandatory, R=Required, O=Optional, D=Dependent, A=Advised, N=Not used



## Segment Layout

No. Seg	St	Max. Occ.				
2	<b>UNB</b>	M 1	Interchange header To start, identify and specify an interchange.			
Business Term	DE	EDIFACT	Format	St	*	Description
	S001	Syntax identifier		M		
Character set	0001	Syntax identifier	a4	M		UNOA UN/ECE level A UNOB UN/ECE level B UNOC UN/ECE level C UNOD UN/ECE level D UNOE UN/ECE level E UNOF UN/ECE level F
Syntax version	0002	Syntax version number	n1	M	*	3 Version 3
	S002	Interchange sender		M		
Indentification of the sender of the transmission file	0004	Sender identification	an..35	M		= Global Location Number (GLN)
	0007	Partner identification code qualifier	an..4	R	*	14 GS1
Address for reverse routing	0008	Address for reverse routing	an..14	O		See note
	S003	Interchange recipient		M		
Indentification of the receiver of the transmission file	0010	Recipient identification	an..35	M		= Global Location Number (GLN)
	0007	Partner identification code qualifier	an..4	R	*	14 GS1
Routing address	0014	Routing address	an..14	O		See note
	S004	Date/time of preparation		M		
File creation date	0017	Date of preparation	n6	M		= Dateformat JJMMTT
File creation time	0019	Time of preparation	n4	M		= Timeformat HHMM
Interchange control reference, beginnig	0020	Interchange control reference	an..14	M		= Unique senders reference
	S005	Recipient's reference, password		O		
Password interchange	0022	Recipient's reference/ password	an..14	M		
	0025	Recipient's reference/ password qualifier	an2	O	*	AA Reference BB Password
Application reference	0026	Application reference	an..14	O		Message type if the transmission fole contains only one message type
	0029	Processing priority code	a1	O	*	A Highest priority
Acknowledgement request	0031	Acknowledgement request	n1	O		
EANCOM	0032	Communications agreement ID	an..35	R		= EANCOM... EDIFACT subset identification (see note)
Test indicator	0035	Test indicator	n1	O	*	1 Interchange is a test

Max. Occ. = Maximum Occurrence, St = Status, \* = Restricted Codes  
 Status: M=Mandatory, R=Required, O=Optional, D=Dependent, A=Advised, N=Not used

## Segment Layout

Segmentstatus: Mandatory

For international EDI the use of character set UNOA is recommended. For national (German) EDI the use of UNOC is reasonable because it contains lower case letters and umlauts.

Note DE 0008:

The address for reverse routing is provided by the interchange sender to inform the interchange recipient of the address within the sender's (source) system to which responding interchanges must be sent. It is recommended that the GLN be used for this purpose.

Note DE 0014:

The routing address is used to identify the receiver, if a provider adds service values for the actual receiver (e.g. consolidated companies, corporate group). The use of the identification system (e.g. GLN) has to be agreed bilaterally.

Note DE 0020:

This data element must contain a consistent sequential number per interchange between sender and receiver of the transmission.

Note DE 0032:

This data element is used to identify any underlying agreements which control the exchange of data. Within EANCOM, the identity of such agreements must start with the letters 'EANCOM', the remaining characters within the data element being filled according to bilateral agreements.

Example: UNB+UNOC:3+4012345000009:14:4012345000018+4000004000002:14:4000004000099+161013:1043+4711+REF:AA+++EANCOM+1'

The EANCOM file 4711 dated 13.10.2016, 10 h 43 is sent by the issuer identified with GLN 4012345000009 to the receiver identified with GLN 4000004000002.

Max. Occ. = Maximum Occurrence, St = Status, \* = Restricted Codes

Status: M=Mandatory, R=Required, O=Optional, D=Dependent, A=Advised, N=Not used

## Segment Layout

No. Seg	St	Max. Occ.			
3	<b>UNH</b>	M 1	Message header To head, identify and specify a message.		
Business Term	DE	EDIFACT	Format	St	* Description
Message reference number	0062	Message reference number	an..14	M	Senders unique message reference. Sequence number of the messages in the interchange. DE 0062 in the UNT will be identical. Sender generated, e.g. ME000001.
	S009	Message identifier		M	
	0065	Message type	an..6	M	* DESADV Despatch advice message
	0052	Message version number	an..3	M	* D Draft version/ UN/EDIFACT Directory
	0054	Message release number	an..3	M	* 01B Release 2001 - B
	0051	Controlling agency	an..2	M	* UN UN/CEFACT
	0057	Association assigned code	an..6	R	* EAN007 GS1 version control number (GS1 Permanent Code)
<p>Segmentstatus: Mandatory                      This segment is used to head, identify and specify a message.                      Example: UNH+ME000001+DESADV:D:01B:UN:EAN007'                      The reference number of the DESADV message is ME0001.</p>					

Max. Occ. = Maximum Occurrence, St = Status, \* = Restricted Codes  
 Status: M=Mandatory, R=Required, O=Optional, D=Dependent, A=Advised, N=Not used

## Segment Layout

No. Seg	St	Max. Occ.				
4	<b>BGM</b>	M 1	Beginning of message To indicate the type and function of a message and to transmit the identifying number.			
Business Term	DE	EDIFACT	Format	St	*	Description
	C002	Document/message name		R		
	1001	Document name code	an..3	R	*	351 <b>Despatch advice</b>
	C106	Document/message identification		R		
<b>Document number</b>	1004	Document identifier	an..35	R		
	1225	Message function code	an..3	R		9 Original
<p>Segmentstatus: Mandatory                      This segment serves to display the type and function of a message and to transmit the identification number.                      In the sense of a best practice application the DE 1225 should always be the original transmission of the delivery report.</p> <p>Example: <b>BGM+351+DES587421+9'</b>                      The document number is DES587421.</p>						

Max. Occ. = Maximum Occurrence, St = Status, \* = Restricted Codes  
 Status: M=Mandatory, R=Required, O=Optional, D=Dependent, A=Advised, N=Not used

## Segment Layout

No.	Seg	St	Max. Occ.			
5	<b>DTM</b>	R	1	Date/time/period To specify date, and/or time, or period.		
Business Term	DE	EDIFACT	Format	St	*	Description
	C507	Date/time/period		M		
	2005	Date or time or period function code qualifier	an..3	M	*	137 Document/ message date/ time
Creation date	2380	Date or time or period value	an..35	R		
	2379	Date or time or period format code	an..3	R		102 CCYYMMDD 203 CCYYMMDDHHMM
<p>Segmentstatus: Mandatory                      Identification of the 'Document/message date/time' (code value 137) is mandatory in the invoice message.</p> <p>Example: <code>DTM+137:20160823:102'</code>                      The document date is the 23th of August 2016.</p> <p>Example: <code>DTM+137:201701100800:203'</code>                      The document date is the 23th of August 2016, 8 o'clock.</p>						

Max. Occ. = Maximum Occurrence, St = Status, \* = Restricted Codes  
 Status: M=Mandatory, R=Required, O=Optional, D=Dependent, A=Advised, N=Not used

## Segment Layout

No.	Seg	St	Max.	Occ.			
6	<b>DTM</b>	O	1		Date/time/period To specify date, and/or time, or period.		
Business Term	DE	EDIFACT	Format	St	*	Description	
	C507	Date/time/period		M			
	2005	Date or time or period function code qualifier	an..3	M	*	17 Delivery date/ time, estimated	
Delivery date	2380	Date or time or period value	an..35	R			
	2379	Date or time or period format code	an..3	R		102 CCYYMMDD 203 CCYYMMDDHHMM	
Segmentstatus: Optional Date and / or time at which the consignor expects delivery of goods.  Example: DTM+17:20160504:102' The estimated delivery date is 4th of May 2016.							

Max. Occ. = Maximum Occurrence, St = Status, \* = Restricted Codes  
 Status: M=Mandatory, R=Required, O=Optional, D=Dependent, A=Advised, N=Not used

## Segment Layout

No.	Seg	St	Max.	Occ.		
7	<b>SG1</b>	O	1		RFF-DTM	
	<b>RFF</b>	M	1		Reference	
To specify a reference.						
Business Term	DE	EDIFACT	Format	St	*	Description
	C506	Reference		M		
	1153	Reference code qualifier	an..3	M	*	ON <b>Order number (buyer)</b>
<b>Order number (buyer)</b>	1154	Reference identifier	an..70	R		
Segmentstatus: Optional This segment can contain a reference to buyers order number.  Example: RFF+ON: 3425 ' The message references to buyers order number 3425.						

Max. Occ. = Maximum Occurrence, St = Status, \* = Restricted Codes  
 Status: M=Mandatory, R=Required, O=Optional, D=Dependent, A=Advised, N=Not used

## Segment Layout

No.	Seg	St	Max.	Occ.			
8	<b>SG1</b>	O	1		RFF-DTM		
	<b>DTM</b>	O	1		Date/time/period To specify date, and/or time, or period.		
Business Term		DE	EDIFACT	Format	St	*	Description
		C507	Date/time/period		M		
		2005	Date or time or period function code qualifier	an..3	M	*	171 Reference date/ time
Order date		2380	Date or time or period value	an..35	R		
		2379	Date or time or period format code	an..3	R		102 CCYYMMDD
<p>Segmentstatus: Optional                      This segment is used to specify any dates related to the previous RFF segment.                      Example: DTM+171:20160401:102'                      The order date is the 1th of April 2016.</p>							

Max. Occ. = Maximum Occurrence, St = Status, \* = Restricted Codes  
 Status: M=Mandatory, R=Required, O=Optional, D=Dependent, A=Advised, N=Not used



## Segment Layout

No.	Seg	St	Max.	Occ.		
9	<b>SG1</b>	O	1		RFF	
	<b>RFF</b>	M	1		Reference	
To specify a reference.						
Business Term	DE	EDIFACT	Format	St	*	Description
	C506	Reference		M		
	1153	Reference code qualifier	an..3	M	*	VN Order number (supplier)
Order number (source of the goods)	1154	Reference identifier	an..70	R		
Segmentstatus: Optional This segment references the (internal) order number of the source of the goods.  Example: RFF+VN:12678 ' The order number of the goods source is 12678.						

Max. Occ. = Maximum Occurrence, St = Status, \* = Restricted Codes  
 Status: M=Mandatory, R=Required, O=Optional, D=Dependent, A=Advised, N=Not used

## Segment Layout

No.	Seg	St	Max.	Occ.		
10	<b>SG1</b>	O	1		RFF	
	<b>RFF</b>	M	1		Reference	
To specify a reference.						
Business Term	DE	EDIFACT	Format	St	*	Description
	C506	Reference		M		
	1153	Reference code qualifier	an..3	M	*	AAS <b>Transport document number</b>
<b>Transport document number</b>	1154	Reference identifier	an..70	R		
Segmentstatus: Optional This segment references the transport document number assigned by the carrier or his agent.  Example: RFF+AAS:56373' The transport document number s 56373.						

Max. Occ. = Maximum Occurrence, St = Status, \* = Restricted Codes  
 Status: M=Mandatory, R=Required, O=Optional, D=Dependent, A=Advised, N=Not used

## Segment Layout

No.	Seg	St	Max. Occ.			
11	<b>SG1</b>	O	10	RFF		
	<b>RFF</b>	M	1	Reference		
To specify a reference.						
Business Term	DE	EDIFACT	Format	St	*	Description
	C506	Reference		M		
	1153	Reference code qualifier	an..3	M	*	DQ Delivery note number
Delivery note (s)	1154	Reference identifier	an..70	R		
<p>Segmentstatus: Optional                      This segment references the delivery note number.                      By repeating the SG1 (RFF-DTM), several delivery note numbers can also be transmitted.                      Example: RFF+DQ:3546'                      The message references to delivery note number 3546.</p>						

Max. Occ. = Maximum Occurrence, St = Status, \* = Restricted Codes  
 Status: M=Mandatory, R=Required, O=Optional, D=Dependent, A=Advised, N=Not used

## Segment Layout

No.	Seg	St	Max. Occ.			
12	<b>SG1</b>	O	1	RFF		
	<b>RFF</b>	M	1	Reference		
To specify a reference.						
Business Term	DE	EDIFACT	Format	St	*	Description
	C506	Reference		M		
	1153	Reference code qualifier	an..3	M	*	AAQ Unit load device (e.g. container) identification number
Transport mode number	1154	Reference identifier	an..70	R		
Segmentstatus: Optional This segment references the transport mode number.  Example: RFF+AAQ:456873' The transport mode number is 456873.						

Max. Occ. = Maximum Occurrence, St = Status, \* = Restricted Codes  
 Status: M=Mandatory, R=Required, O=Optional, D=Dependent, A=Advised, N=Not used

**Segment Layout**

No.	Seg	St	Max. Occ.			
13	<b>SG2</b>	R	1	NAD-LOC-SG3		
	<b>NAD</b>	M	1	Name and address		
To specify the name/address and their related function, either by C082 only and/or unstructured by C058 or structured by C080 thru 3207.						
Business Term	DE	EDIFACT	Format	St	*	Description
	3035	Party function code qualifier	an..3	M	*	SN <b>Store number</b>
	C082	Party identification details		A		
<b>Identification of the warehouse / part of warehouse</b>	3039	Party identifier	an..35	M		Global Location Number (GLN) - Format n13
	1131	Code list identification code	an..17	N		
	3055	Code list responsible agency code	an..3	R	*	9 <b>GS1</b>
	C058	Name and address		O		This composite may only be used to fulfill the requirements of directive 2003/58/EG, article 4. If applicable the message sender gets the possibility to give the relevant statements at this place. If C058 ist not sufficient, more declaration can be given in following RFF+GN... segments.
	3124	Name and address description	an..35	N		
	3124	Name and address description	an..35	O		
	3124	Name and address description	an..35	O		
	3124	Name and address description	an..35	O		
	3124	Name and address description	an..35	O		
Segmentstatus: Mandatory The identification of the warehouse / part of warehouse is identified by GLN.  Example: NAD+SN+4312345001205::9+:X:X:X:X' The warehouse is identified by GLN 4312345001205.						

Max. Occ. = Maximum Occurrence, St = Status, \* = Restricted Codes  
 Status: M=Mandatory, R=Required, O=Optional, D=Dependent, A=Advised, N=Not used

## Segment Layout

No.	Seg	St	Max. Occ.				
14	<b>SG2</b>	R	1	NAD-LOC-SG3			
	<b>LOC</b>	O	1	Place/location identification To identify a place or a location and/or related locations.			
Business Term		DE	EDIFACT	Format	St	*	Description
		3227	Location function code qualifier	an..3	M	*	7 Place of delivery
		C517	Location identification		A		
Additional warehouse identification		3225	Location name code	an..25	A		Global Location Number (GLN) - Format n13
		1131	Code list identification code	an..17	N		
		3055	Code list responsible agency code	an..3	D	*	9 GS1
<p>Segmentstatus: Optional                      An additional identification of the warehouse / special storage area can be carried out with the LOC segment.                      Example: LOC+7+5412345123472:::9'                      The additional identification of the warehouse 5412345123472.</p>							

Max. Occ. = Maximum Occurrence, St = Status, \* = Restricted Codes  
 Status: M=Mandatory, R=Required, O=Optional, D=Dependent, A=Advised, N=Not used

## Segment Layout

No.	Seg	St	Max. Occ.				
15	<b>SG2</b>	R	1	NAD-LOC-SG3			
	<b>SG3</b>	D	1	RFF			
	<b>RFF</b>	M	1	Reference To specify a reference.			
Business Term		DE	EDIFACT	Format	St	*	Description
		C506	Reference		M		
		1153	Reference code qualifier	an..3	M	*	GN <b>Government reference number</b>
<b>Statements on business letters</b>		1154	Reference identifier	an..70	R		
<p>Segmentstatus: Depending                      This RFF segment may only be used if NAD has not enough space to fulfill the requirements of directive 2003/58/EG, article 4.</p> <p>Example: RFF+GN:HRB-471111'                      German Statements on business letters: HRB-471111.</p>							

Max. Occ. = Maximum Occurrence, St = Status, \* = Restricted Codes  
 Status: M=Mandatory, R=Required, O=Optional, D=Dependent, A=Advised, N=Not used

**Segment Layout**

No.	Seg	St	Max. Occ.			
16	<b>SG2</b>	R	1	NAD-SG3		
	<b>NAD</b>	M	1	Name and address		
To specify the name/address and their related function, either by C082 only and/or unstructured by C058 or structured by C080 thru 3207.						
Business Term	DE	EDIFACT	Format	St	*	Description
	3035	Party function code qualifier	an..3	M	*	SF Ship from
	C082	Party identification details		A		
Identification of the place of loading	3039	Party identifier	an..35	M		Global Location Number (GLN) - Format n13
	1131	Code list identification code	an..17	N		
	3055	Code list responsible agency code	an..3	R	*	9 GS1
	C058	Name and address		O		This composite may only be used to fulfill the requirements of directive 2003/58/EG, article 4. If applicable the message sender gets the possibility to give the relevant statements at this place. If C058 ist not sufficient, more declaration can be given in following RFF+GN... segments.
	3124	Name and address description	an..35	N		
	3124	Name and address description	an..35	O		
	3124	Name and address description	an..35	O		
	3124	Name and address description	an..35	O		
	3124	Name and address description	an..35	O		
<p>Segmentstatus: Mandatory</p> <p>The identification of the place of loading is identified by GLN.</p> <p>Example: NAD+SF+4000012513563::9+:X:X:X:X'</p> <p>The Place of loading is identified by GLN 4000012513563.</p>						

Max. Occ. = Maximum Occurrence, St = Status, \* = Restricted Codes  
 Status: M=Mandatory, R=Required, O=Optional, D=Dependent, A=Advised, N=Not used



## Segment Layout

No.	Seg	St	Max. Occ.				
17	<b>SG2</b>	R	1	NAD-SG3			
	<b>SG3</b>	D	1	RFF			
	<b>RFF</b>	M	1	Reference			
	To specify a reference.						
Business Term		DE	EDIFACT	Format	St	*	Description
		C506	Reference		M		
		1153	Reference code qualifier	an..3	M	*	GN <b>Government reference number</b>
<b>Statements on business letters</b>		1154	Reference identifier	an..70	R		
<p>Segmentstatus: Depending                      This RFF segment may only be used if NAD has not enough space to fulfill the requirements of directive 2003/58/EG, article 4.</p> <p>Example: <b>RFF+GN:HRB-471111'</b>                      German Statements on business letters: HRB-471111.</p>							

Max. Occ. = Maximum Occurrence, St = Status, \* = Restricted Codes  
 Status: M=Mandatory, R=Required, O=Optional, D=Dependent, A=Advised, N=Not used

**Segment Layout**

No.	Seg	St	Max. Occ.			
18	<b>SG2</b>	R	1	NAD-SG3		
	<b>NAD</b>	M	1	Name and address		
To specify the name/address and their related function, either by C082 only and/or unstructured by C058 or structured by C080 thru 3207.						
Business Term	DE	EDIFACT	Format	St	*	Description
	3035	Party function code qualifier	an..3	M	*	SU <b>Supplier</b>
	C082	Party identification details		A		
<b>Supplier identification</b>	3039	Party identifier	an..35	M		Global Location Number (GLN) - Format n13
	1131	Code list identification code	an..17	N		
	3055	Code list responsible agency code	an..3	R	*	9 <b>GS1</b>
	C058	Name and address		O		This composite may only be used to fulfill the requirements of directive 2003/58/EG, article 4. If applicable the message sender gets the possibility to give the relevant statements at this place. If C058 ist not sufficient, more declaration can be given in following RFF+GN... segments.
	3124	Name and address description	an..35	N		
	3124	Name and address description	an..35	O		
	3124	Name and address description	an..35	O		
	3124	Name and address description	an..35	O		
	3124	Name and address description	an..35	O		
<p>Segmentstatus: Mandatory                      The identification of the supplier is identified by GLN.</p> <p>Example: NAD+SU+4071615111110::9+:X:X:X:X'                      The supplier is identified by GLN 4071615111110.</p>						

Max. Occ. = Maximum Occurrence, St = Status, \* = Restricted Codes  
 Status: M=Mandatory, R=Required, O=Optional, D=Dependent, A=Advised, N=Not used

## Segment Layout

No.	Seg	St	Max. Occ.				
19	<b>SG2</b>	R	1	NAD-SG3			
	<b>SG3</b>	D	1	RFF			
	<b>RFF</b>	M	1	Reference			
To specify a reference.							
Business Term		DE	EDIFACT	Format	St	*	Description
		C506	Reference		M		
		1153	Reference code qualifier	an..3	M	*	GN <b>Government reference number</b>
<b>Statements on business letters</b>		1154	Reference identifier	an..70	R		
<p>Segmentstatus: Depending                      This RFF segment may only be used if NAD has not enough space to fulfill the requirements of directive 2003/58/EG, article 4.</p> <p>Example: RFF+GN:HRB-471111'                      German Statements on business letters: HRB-471111.</p>							

Max. Occ. = Maximum Occurrence, St = Status, \* = Restricted Codes  
 Status: M=Mandatory, R=Required, O=Optional, D=Dependent, A=Advised, N=Not used

**Segment Layout**

No.	Seg	St	Max. Occ.			
20	<b>SG2</b>	O	1	NAD-SG3		
	<b>NAD</b>	M	1	Name and address		
To specify the name/address and their related function, either by C082 only and/or unstructured by C058 or structured by C080 thru 3207.						
Business Term	DE	EDIFACT	Format	St	*	Description
	3035	Party function code qualifier	an..3	M	*	FW <b>Freight forwarder</b>
	C082	Party identification details		A		
<b>Identification of the freight forwarder</b>	3039	Party identifier	an..35	M		Global Location Number (GLN) - Format n13
	1131	Code list identification code	an..17	N		
	3055	Code list responsible agency code	an..3	R	*	9 <b>GS1</b>
	C058	Name and address		O		This composite may only be used to fulfill the requirements of directive 2003/58/EG, article 4. If applicable the message sender gets the possibility to give the relevant statements at this place. If C058 ist not sufficient, more declaration can be given in following RFF+GN... segments.
	3124	Name and address description	an..35	N		
	3124	Name and address description	an..35	O		
	3124	Name and address description	an..35	O		
	3124	Name and address description	an..35	O		
	3124	Name and address description	an..35	O		
<p>Segmentstatus: Optional                      The identification of the freight forwarder is identified by GLN.</p> <p>Example: <b>NAD+FW+4212345000005::9+:X:X:X:X'</b>                      The freight forwarder is identified by GLN 4212345000005.</p>						

Max. Occ. = Maximum Occurrence, St = Status, \* = Restricted Codes  
 Status: M=Mandatory, R=Required, O=Optional, D=Dependent, A=Advised, N=Not used

## Segment Layout

No.	Seg	St	Max. Occ.				
21	<b>SG2</b>	O	1	NAD-SG3			
	<b>SG3</b>	D	1	RFF			
	<b>RFF</b>	M	1	Reference			
To specify a reference.							
Business Term		DE	EDIFACT	Format	St	*	Description
		C506	Reference		M		
		1153	Reference code qualifier	an..3	M	*	GN <b>Government reference number</b>
<b>Statements on business letters</b>		1154	Reference identifier	an..70	R		
<p>Segmentstatus: Depending                      This RFF segment may only be used if NAD has not enough space to fulfill the requirements of directive 2003/58/EG, article 4.</p> <p>Example: <b>RFF+GN:HRB-471111'</b>                      German Statements on business letters: HRB-471111.</p>							

Max. Occ. = Maximum Occurrence, St = Status, \* = Restricted Codes  
 Status: M=Mandatory, R=Required, O=Optional, D=Dependent, A=Advised, N=Not used

## Segment Layout

No.	Seg	St	Max. Occ.			
22	<b>SG2</b>	R	1	NAD-SG3		
	<b>NAD</b>	M	1	Name and address		
To specify the name/address and their related function, either by C082 only and/or unstructured by C058 or structured by C080 thru 3207.						
Business Term	DE	EDIFACT	Format	St	*	Description
	3035	Party function code qualifier	an..3	M	*	LSP <b>Logistic Service Provider (GS1 Temporary Code)</b>
	C082	Party identification details		A		
<b>Identification of the logistic service provider</b>	3039	Party identifier	an..35	M		Global Location Number (GLN) - Format n13
	1131	Code list identification code	an..17	N		
	3055	Code list responsible agency code	an..3	R	*	9 <b>GS1</b>
	C058	Name and address		O		This composite may only be used to fulfill the requirements of directive 2003/58/EG, article 4. If applicable the message sender gets the possibility to give the relevant statements at this place. If C058 ist not sufficient, more declaration can be given in following RFF+GN... segments.
	3124	Name and address description	an..35	N		
	3124	Name and address description	an..35	O		
	3124	Name and address description	an..35	O		
	3124	Name and address description	an..35	O		
	3124	Name and address description	an..35	O		
Segmentstatus: Mandatory The identification of the logistic service provider is identified by GLN.  Example: NAD+LSP+421234500005::9+:X:X:X:X' The logistic service provider is identified by GLN 44212345000005.						

Max. Occ. = Maximum Occurrence, St = Status, \* = Restricted Codes  
 Status: M=Mandatory, R=Required, O=Optional, D=Dependent, A=Advised, N=Not used

## Segment Layout

No.	Seg	St	Max. Occ.				
23	<b>SG2</b>	R	1	NAD-SG3			
	<b>SG3</b>	D	1	RFF			
	<b>RFF</b>	M	1	Reference			
To specify a reference.							
Business Term		DE	EDIFACT	Format	St	*	Description
		C506	Reference		M		
		1153	Reference code qualifier	an..3	M	*	GN <b>Government reference number</b>
<b>Statements on business letters</b>		1154	Reference identifier	an..70	R		
<p>Segmentstatus: Depending                      This RFF segment may only be used if NAD has not enough space to fulfill the requirements of                      directive 2003/58/EG, article 4.</p> <p>Example: <b>RFF+GN:HRB-471111'</b>                      German Statements on business letters: HRB-471111.</p>							

Max. Occ. = Maximum Occurrence, St = Status, \* = Restricted Codes  
 Status: M=Mandatory, R=Required, O=Optional, D=Dependent, A=Advised, N=Not used

## Segment Layout

No.	Seg	St	Max.	Occ.		
24	<b>SG8</b>	O	10		EQD-SEL	
	<b>EQD</b>	M	1		Equipment details	
To identify a unit of equipment.						
Business Term	DE	EDIFACT	Format	St	*	Description
	8053	Equipment type code qualifier	an..3	M		CN Container
	C237	Equipment identification		O		
<b>Unit load device</b>	8260	Equipment identifier	an..17	A		
Segmentstatus: Optional This segment is used for unit load devices.  Example: EQD+CN+93221 ' The unit load device is a container with the number 93221.						

Max. Occ. = Maximum Occurrence, St = Status, \* = Restricted Codes  
 Status: M=Mandatory, R=Required, O=Optional, D=Dependent, A=Advised, N=Not used



## Segment Layout

No.	Seg	St	Max. Occ.				
25	<b>SG8</b>	O	10	EQD-SEL			
	<b>SEL</b>	O	25	Seal number			
To specify the seal number or a range of seal numbers.							
Business Term		DE	EDIFACT	Format	St	*	Description
Seal number connected to the equipment		9308	Seal identifier	an..35	C		
<p>Segmentstatus: Optional                      This segment is used to specify a seal number which is connected to the equipment identified in the EQD segment.</p> <p>Example: SEL+14526'                      The seal number connected to the equipment is 93221.</p>							

Max. Occ. = Maximum Occurrence, St = Status, \* = Restricted Codes  
 Status: M=Mandatory, R=Required, O=Optional, D=Dependent, A=Advised, N=Not used

## Segment Layout

No. Seg	St	Max. Occ.				
26			<b>SG10</b>	R	9999	CPS-SG11
			<b>CPS</b>	M	1	Consignment packing sequence To identify the sequence in which physical packing is presented in the consignment, and optionally to identify the hierarchical relationship between packing layers.
Business Term		DE	EDIFACT	Format	St	* Description
Sequence of packages within the consignment		7164	Hierarchical structure level identifier	an..35	M	Sequential numbering is recommended
<p>Segmentstatus: Mandatory</p> <p>The CPS segment starts the detail section of the message. The segments following the first occurrence of CPS (CPS+1) and previous to the following CPS (CPS+2+1) can provide physical dimensions for the entire consignment.</p> <p>The CPS segment is used to display different hierarchies.</p> <p>If no package hierarchy is to be described, the message with SG 17 is continued (after fulfilling the requirements of the first SG 10).</p> <p>Example: CPS+1 ' First level of the consignment hierarchy.</p>						

Max. Occ. = Maximum Occurrence, St = Status, \* = Restricted Codes  
 Status: M=Mandatory, R=Required, O=Optional, D=Dependent, A=Advised, N=Not used

## Segment Layout

No.	Seg	St	Max. Occ.			
27	<b>SG10</b>	R	9999	CPS-SG11		
	<b>SG11</b>	O	1	PAC-MEA		
	<b>PAC</b>	M	1	Package		
To describe the number and type of packages/physical units.						
Business Term	DE	EDIFACT	Format	St	*	Description
Number of packages (Consignment)	7224	Package quantity	n..8	O		
	C531	Packaging details		A		
	7075	Packaging level code	an..3	N		
	7233	Packaging related description code	an..3	O		50 Package barcoded EAN-13 or EAN-8 52 Package barcoded UCC or EAN-128 78 Package bar-coded and EPC tagged (former 55E) 79 Package EPC tagged only (former 56E)
	7073	Packaging terms and conditions code	an..3	O		
	C202	Package type		O		
	7065	Package type description code	an..17	A		The use of any code value of this codes list is allowed. 201 Pallet ISO 1 - 1/1 EURO Pallet (GS1 Temporary Code)
	1131	Code list identification code	an..17	O		
	3055	Code list responsible agency code	an..3	D	*	9 <b>GS1</b> Code value 9 is only used if DE 7065 contains a GS1 code.
<p>Segmentstatus: Optional                      This segment is used to specify the total number of packages and packaging types per hierarchical level defined in the CPS segment.</p> <p>Example: PAC+10+ :52+201: :9'                      The consignment item comprises 10 EURO pallets.</p>						

Max. Occ. = Maximum Occurrence, St = Status, \* = Restricted Codes  
 Status: M=Mandatory, R=Required, O=Optional, D=Dependent, A=Advised, N=Not used

## Segment Layout

No. Seg	St	Max. Occ.				
28	<b>SG10</b>	R 9999	CPS-SG11			
	<b>SG11</b>	O 1	PAC-MEA			
	<b>MEA</b>	O 1	Measurements			
To specify physical measurements, including dimension tolerances, weights and counts.						
Business Term	DE	EDIFACT	Format	St	*	Description
	6311	Measurement purpose code qualifier	an..3	M	*	PD <b>Physical dimensions (product ordered)</b>
	C502	Measurement details		A		
	6313	Measured attribute code	an..3	A	*	AAD <b>Total gross weight</b>
	C174	Value/range		R		
	6411	Measurement unit code	an..3	M		KGM kilogram TNE tonne (metric ton)
<b>Gross weight of the consignment</b>	6314	Measurement value	an..18	R		
<p>Segmentstatus: Optional                      This segment is used to provide measurements or dimensions relevant to the packaging unit described in the PAC segment. After the first occurrence of the CPS segment the total gross weight of the consignment is provided.</p> <p>Example: <b>MEA+PD+AAD+KGM:10'</b>                      The gross weight is 10 kg.</p>						

Max. Occ. = Maximum Occurrence, St = Status, \* = Restricted Codes  
 Status: M=Mandatory, R=Required, O=Optional, D=Dependent, A=Advised, N=Not used

## Segment Layout

No. Seg	St	Max. Occ.				
29	<b>SG10</b>	R 9999	CPS-SG11			
	<b>SG11</b>	O 1	PAC-MEA			
	<b>MEA</b>	O 1	Measurements			
To specify physical measurements, including dimension tolerances, weights and counts.						
Business Term	DE	EDIFACT	Format	St	*	Description
	6311	Measurement purpose code qualifier	an..3	M	*	PD <b>Physical dimensions (product ordered)</b>
	C502	Measurement details		A		
	6313	Measured attribute code	an..3	A	*	AAW <b>Gross volume</b>
	C174	Value/range		R		
	6411	Measurement unit code	an..3	M		LTR litre MTQ cubic metre
<b>Total volume of the consignment</b>	6314	Measurement value	an..18	R		
<p>Segmentstatus: Optional                      This segment is used to provide measurements or dimensions relevant to the packaging unit described in the PAC segment.</p> <p>Example: MEA+PD+AAW+MTQ:15'                      The gross volume is 1 cubic metre.</p>						

Max. Occ. = Maximum Occurrence, St = Status, \* = Restricted Codes  
 Status: M=Mandatory, R=Required, O=Optional, D=Dependent, A=Advised, N=Not used

## Segment Layout

No. Seg	St	Max. Occ.				
30	<b>SG10</b>	R 9999	CPS-SG11			
	<b>SG11</b>	O 1	PAC-MEA			
	<b>MEA</b>	O 1	Measurements			
To specify physical measurements, including dimension tolerances, weights and counts.						
Business Term	DE	EDIFACT	Format	St	*	Description
	6311	Measurement purpose code qualifier	an..3	M	*	PD <b>Physical dimensions (product ordered)</b>
	C502	Measurement details		A		
	6313	Measured attribute code	an..3	A	*	HT <b>Height dimension</b>
	C174	Value/range		R		
	6411	Measurement unit code	an..3	M		KGM kilogram TNE tonne (metric ton) CMT centimetre
<b>Height of the consignment</b>	6314	Measurement value	an..18	R		
<p>Segmentstatus: Optional                      This segment is used to provide measurements or dimensions relevant to the packaging unit described in the PAC segment. After the first occurrence of the CPS segment the height of the consignment is provided.</p> <p>Example: <b>MEA+PD+HT+CMT:1500'</b>                      The height of the consignment is 1500 centimeters.</p>						

Max. Occ. = Maximum Occurrence, St = Status, \* = Restricted Codes  
 Status: M=Mandatory, R=Required, O=Optional, D=Dependent, A=Advised, N=Not used

## Segment Layout

No.	Seg	St	Max. Occ.				
31	<b>SG10</b>	O	9999	CPS-SG11			
	<b>CPS</b>	M	1	Consignment packing sequence To identify the sequence in which physical packing is presented in the consignment, and optionally to identify the hierarchical relationship between packing layers.			
Business Term		DE	EDIFACT	Format	St	*	Description
Sequence of the packages (despatch units)		7164	Hierarchical structure level identifier	an..35	M		Sequential numbering is recommended
Hierarchy level		7166	Hierarchical structure parent identifier	an..35	A		
<p>Segmentstatus: Optional                      This segment is used to display individual packages (e. g. a specification of the SSCC's for a sandwich palette).</p> <p>Example: CPS+2+1'                      Second consignment level, first pallet.</p>							

Max. Occ. = Maximum Occurrence, St = Status, \* = Restricted Codes  
 Status: M=Mandatory, R=Required, O=Optional, D=Dependent, A=Advised, N=Not used

**Segment Layout**

No. Seg	St	Max. Occ.			
32	<b>SG10</b>	O 9999	CPS-SG11		
	<b>SG11</b>	O 1	PAC-MEA-SG13		
	<b>PAC</b>	M 1	Package		
To describe the number and type of packages/physical units.					
Business Term	DE	EDIFACT	Format	St *	Description
Number of packages (despatch units)	7224	Package quantity	n..8	O	
	C531	Packaging details		A	
	7075	Packaging level code	an..3	N	
	7233	Packaging related description code	an..3	O	50 Package barcoded EAN-13 or EAN-8 52 Package barcoded UCC or EAN-128 78 Package bar-coded and EPC tagged (former 55E) 79 Package EPC tagged only (former 56E)
	7073	Packaging terms and conditions code	an..3	O	Exchange pallet: 27 Package exchangeable at the point of delivery Rented pallet: 4E Rented (GS1 Temporary Code) One way pallet: XX4 No Exchange / No Return Pallet (GS1 Temporary Code)
	C202	Package type		O	
	7065	Package type description code	an..17	A	The use of any code value of this codes list is allowed. 201 Pallet ISO 1 - 1/1 EURO Pallet (GS1 Temporary Code)
	1131	Code list identification code	an..17	O	
	3055	Code list responsible agency code	an..3	D *	9 <b>GS1</b> Code value 9 is only used if DE 7065 contains a GS1 code.
<p>Segmentstatus: Optional                      This segment is used to specify the total number of packages and packaging types per hierarchical level defined in the CPS segment.</p> <p>Example: PAC+1+ : 52:27+201 : :9'                      This consignment line contains 1 EURO pallet.</p>					

Max. Occ. = Maximum Occurrence, St = Status, \* = Restricted Codes  
 Status: M=Mandatory, R=Required, O=Optional, D=Dependent, A=Advised, N=Not used



## Segment Layout

No. Seg	St	Max. Occ.				
33	<b>SG10</b>	O 9999	CPS-SG11			
	<b>SG11</b>	O 1	PAC-MEA-SG13			
	<b>MEA</b>	O 1	Measurements			
To specify physical measurements, including dimension tolerances, weights and counts.						
Business Term	DE	EDIFACT	Format	St	*	Description
	6311	Measurement purpose code qualifier	an..3	M	*	PD <b>Physical dimensions (product ordered)</b>
	C502	Measurement details		A		
	6313	Measured attribute code	an..3	A	*	AAD <b>Total gross weight</b>
	C174	Value/range		R		
	6411	Measurement unit code	an..3	M		KGM kilogram TNE tonne (metric ton)
<b>Gross weight of a package</b>	6314	Measurement value	an..18	R		
<p>Segmentstatus: Optional                      This segment is used to provide measurements or dimensions relevant to the packaging unit described in the PAC segment.</p> <p>Example: <b>MEA+PD+AAD+KGM: 5'</b>                      The gross weight is 5 kg.</p>						

Max. Occ. = Maximum Occurrence, St = Status, \* = Restricted Codes  
 Status: M=Mandatory, R=Required, O=Optional, D=Dependent, A=Advised, N=Not used

## Segment Layout

No. Seg	St	Max. Occ.				
34	<b>SG10</b>	O 9999	CPS-SG11			
	<b>SG11</b>	O 1	PAC-MEA-SG13			
	<b>MEA</b>	O 1	Measurements			
To specify physical measurements, including dimension tolerances, weights and counts.						
Business Term	DE	EDIFACT	Format	St	*	Description
	6311	Measurement purpose code qualifier	an..3	M	*	PD <b>Physical dimensions (product ordered)</b>
	C502	Measurement details		A		
	6313	Measured attribute code	an..3	A	*	AAW <b>Gross volume</b>
	C174	Value/range		R		
	6411	Measurement unit code	an..3	M		LTR litre MTQ cubic metre
<b>Volume of package</b>	6314	Measurement value	an..18	R		
<p>Segmentstatus: Optional                      This segment is used to provide measurements or dimensions relevant to the packaging unit described in the PAC segment.</p> <p>Example: <b>MEA+PD+AAW+MTQ:1'</b>                      The gross volume is 1 cubic metre.</p>						

Max. Occ. = Maximum Occurrence, St = Status, \* = Restricted Codes  
 Status: M=Mandatory, R=Required, O=Optional, D=Dependent, A=Advised, N=Not used

## Segment Layout

No. Seg	St	Max. Occ.				
35	<b>SG10</b>	O 9999	CPS-SG11			
	<b>SG11</b>	O 1	PAC-MEA-SG13			
	<b>MEA</b>	O 1	Measurements			
To specify physical measurements, including dimension tolerances, weights and counts.						
Business Term	DE	EDIFACT	Format	St	*	Description
	6311	Measurement purpose code qualifier	an..3	M	*	PD <b>Physical dimensions (product ordered)</b>
	C502	Measurement details		A		
	6313	Measured attribute code	an..3	A		HT Höhenmaßangabe WD Breitenabmessung n LN Längenmaßangabe AEB Stapelhöhe
	C174	Value/range		R		
	6411	Measurement unit code	an..3	M		MMT millimetre MTR metre
<b>Height of package</b>	6314	Measurement value	an..18	R		
<p>Segmentstatus: Optional</p> <p>This segment is used to provide measurements or dimensions relevant to the packaging unit described in the PAC segment. The value of height is inclusive the height of consignment, e.g. pallet.</p> <p>Example: <b>MEA+PD+HT+MMT:1050'</b> The total height is 1050 mm.</p>						

Max. Occ. = Maximum Occurrence, St = Status, \* = Restricted Codes  
 Status: M=Mandatory, R=Required, O=Optional, D=Dependent, A=Advised, N=Not used

## Segment Layout

No.	Seg	St	Max. Occ.			
36	<b>SG10</b>	O	9999	CPS-SG11		
	<b>SG11</b>	O	1	PAC-MEA-SG13		
	<b>SG13</b>	O	1000	PCI-SG15		
	<b>PCI</b>	M	1	Package identification		
To specify markings and labels on individual packages or physical units.						
Business Term		DE	EDIFACT	Format	St	* Description
Marking with SSCC (despatch units)		4233	Marking instructions code	an..3	R	* 33E Marked with serial shipping container code (GS1 Temporary Code)
Segmentstatus: Optional The PCI segment details markings with SSCC.  Example: PCI+33E' Marking with SSCC.						

Max. Occ. = Maximum Occurrence, St = Status, \* = Restricted Codes  
 Status: M=Mandatory, R=Required, O=Optional, D=Dependent, A=Advised, N=Not used

## Segment Layout

No. Seg	St	Max. Occ.				
<b>SG10</b>	O	9999	CPS-SG11			
<b>SG11</b>	O	1	PAC-MEA-SG13			
<b>SG13</b>	O	1000	PCI-SG15			
<b>SG15</b>	O	99	GIN			
37 <b>GIN</b>	M	1	Goods identity number			
To give specific identification numbers, either as single numbers or ranges.						
Business Term	DE	EDIFACT	Format	St	*	Description
	7405	Object identification code qualifier	an..3	M	*	BJ <b>Serial shipping container code</b>
	C208	Identity number range		M		
<b>Serial Shipping Container Code (SSCC)</b>	7402	Object identifier	an..35	M		
Segmentstatus: Optional This segment provides the SSCC to uniquely identify individual packages.  Example: GIN+BJ+340123450000000014' The SSCC is 340123450000000014						

Max. Occ. = Maximum Occurrence, St = Status, \* = Restricted Codes  
 Status: M=Mandatory, R=Required, O=Optional, D=Dependent, A=Advised, N=Not used

## Segment Layout

No. Seg	St	Max. Occ.				
38	<b>SG10</b>	O 9999	CPS-SG11			
	<b>SG11</b>	O 1	PAC-MEA-SG13			
	<b>SG13</b>	O 1000	PCI			
	<b>PCI</b>	M 1	Package identification			
To specify markings and labels on individual packages or physical units.						
Business Term	DE	EDIFACT	Format	St	*	Description
Marking with number of a package	4233	Marking instructions code	an..3	R	*	IEN Package Identity Number (GS1 Temporary Code)
	C210	Marks & labels		R		
Number of a package	7102	Shipping marks description	an..35	M		The number of a package may only be used additionally to SSCC.
Segmentstatus: Optional This segment is used to provide markings with a number of a package.  Example: PCI+IEN+12337616644 ' Package identification						

Max. Occ. = Maximum Occurrence, St = Status, \* = Restricted Codes  
 Status: M=Mandatory, R=Required, O=Optional, D=Dependent, A=Advised, N=Not used

## Segment Layout

No. Seg	St	Max. Occ.				
39	<b>SG10</b>	O 9999	CPS-SG11-SG17			
	<b>CPS</b>	M 1	Consignment packing sequence			
To identify the sequence in which physical packing is presented in the consignment, and optionally to identify the hierarchical relationship between packing layers.						
Business Term	DE	EDIFACT	Format	St	*	Description
Sequence of the packages (despatch units / articles)	7164	Hierarchical structure level identifier	an..35	M		Sequential numbering is recommended
Hierarchy level (despatch units / articles)	7166	Hierarchical structure parent identifier	an..35	A		
<p>Segmentstatus: Optional</p> <p>This segment is used to display a 3rd hierarchy level (for example, the SSCC per tray or carton).</p> <p>Example: CPS+3+2'</p> <p>Third consignment level, first carton.</p>						

Max. Occ. = Maximum Occurrence, St = Status, \* = Restricted Codes  
 Status: M=Mandatory, R=Required, O=Optional, D=Dependent, A=Advised, N=Not used

**Segment Layout**

No. Seg	St	Max. Occ.				
40	<b>SG10</b>	O 9999	CPS-SG11-SG17			
	<b>SG11</b>	O 9999	PAC-MEA-SG13			
	<b>PAC</b>	M 1	Package			
To describe the number and type of packages/physical units.						
Business Term	DE	EDIFACT	Format	St	*	Description
Number of packages (despatch units / articles)	7224	Package quantity	n..8	O		
	C531	Packaging details		A		
	7075	Packaging level code	an..3	N		
	C202	Package type		O		
	7065	Package type description code	an..17	A		The use of any code value of this codes list is allowed. CT Carton
	1131	Code list identification code	an..17	O		
	3055	Code list responsible agency code	an..3	D	*	9 <b>GS1</b> Code value 9 is only used if DE 7065 contains a GS1 code.
<p>Segmentstatus: Optional                      This segment can be used to indicate the total number of packages of the consignment within the hierarchy level defined in the CPS segment. The content of each package is described in the following LIN segments.</p> <p>Example: PAC+1++CT'                      This consignment line contains 1 carton.</p>						

Max. Occ. = Maximum Occurrence, St = Status, \* = Restricted Codes  
 Status: M=Mandatory, R=Required, O=Optional, D=Dependent, A=Advised, N=Not used



## Segment Layout

No. Seg	St	Max. Occ.				
41	<b>SG10</b>	O 9999	CPS-SG11-SG17			
	<b>SG11</b>	O 9999	PAC-MEA-SG13			
	<b>MEA</b>	O 1	Measurements			
To specify physical measurements, including dimension tolerances, weights and counts.						
Business Term	DE	EDIFACT	Format	St	*	Description
	6311	Measurement purpose code qualifier	an..3	M	*	PD <b>Physical dimensions (product ordered)</b>
	C502	Measurement details		A		
	6313	Measured attribute code	an..3	A	*	AAD <b>Total gross weight</b>
	C174	Value/range		R		
	6411	Measurement unit code	an..3	M		KGM kilogram
<b>Gross weight of a package (despatch units / articles)</b>	6314	Measurement value	an..18	R		
<p>Segmentstatus: Optional                      This segment is used to specify the gross weight.                      Example: <b>MEA+PD+AAD+KGM:5'</b>                      The gross weight of the carton is 5 kg.</p>						

Max. Occ. = Maximum Occurrence, St = Status, \* = Restricted Codes  
 Status: M=Mandatory, R=Required, O=Optional, D=Dependent, A=Advised, N=Not used

## Segment Layout

No.	Seg	St	Max. Occ.		
42	<b>SG10</b>	O	9999	CPS-SG11-SG17	
	<b>SG11</b>	O	9999	PAC-MEA-SG13	
	<b>MEA</b>	O	1	Measurements	
To specify physical measurements, including dimension tolerances, weights and counts.					
Business Term	DE	EDIFACT	Format	St	* Description
	6311	Measurement purpose code qualifier	an..3	M	* PD <b>Physical dimensions (product ordered)</b>
	C502	Measurement details		A	
	6313	Measured attribute code	an..3	A	* AAW <b>Gross volume</b>
	C174	Value/range		R	
	6411	Measurement unit code	an..3	M	LTR litre MTQ cubic metre
<b>Volume of package (despatch units / articles)</b>	6314	Measurement value	an..18	R	
<p>Segmentstatus: Optional                      This segment is used to provide measurements or dimensions relevant to the packaging unit described in the PAC segment.</p> <p>Example: MEA+PD+AAW+MTQ:1'                      The gross volume is 1 cubic metre.</p>					

Max. Occ. = Maximum Occurrence, St = Status, \* = Restricted Codes  
 Status: M=Mandatory, R=Required, O=Optional, D=Dependent, A=Advised, N=Not used

## Segment Layout

No.	Seg	St	Max. Occ.			
43	<b>SG10</b>	O	9999	CPS-SG11-SG17		
	<b>SG11</b>	O	9999	PAC-MEA-SG13		
	<b>MEA</b>	O	1	Measurements		
To specify physical measurements, including dimension tolerances, weights and counts.						
Business Term	DE	EDIFACT	Format	St	*	Description
	6311	Measurement purpose code qualifier	an..3	M	*	PD <b>Physical dimensions (product ordered)</b>
	C502	Measurement details		A		
	6313	Measured attribute code	an..3	A		HT Height dimension
	C174	Value/range		R		
	6411	Measurement unit code	an..3	M		CMT centimetre MMT millimetre MTR metre
<b>Height of package (despatch units / articles)</b>	6314	Measurement value	an..18	R		
Segmentstatus: Optional This segment is used to specify the height.  Example: <b>MEA+PD+HT+CMT:20'</b> The height of the carton is 20 centimeters.						

Max. Occ. = Maximum Occurrence, St = Status, \* = Restricted Codes  
 Status: M=Mandatory, R=Required, O=Optional, D=Dependent, A=Advised, N=Not used

## Segment Layout

No. Seg	St	Max. Occ.				
44	<b>SG10</b>	O 9999	CPS-SG11-SG17			
	<b>SG11</b>	O 9999	PAC-MEA-SG13			
	<b>SG13</b>	O 1000	PCI-SG15			
	<b>PCI</b>	M 1	Package identification			
To specify markings and labels on individual packages or physical units.						
Business Term	DE	EDIFACT	Format	St	*	Description
Marking with SSCC (despatch units)	4233	Marking instructions code	an..3	R	*	33E Marked with serial shipping container code (GS1 Temporary Code)
Segmentstatus: Optional The PCI segment details markings with SSCC.  Example: PCI+33E' Marking with SSCC.						

Max. Occ. = Maximum Occurrence, St = Status, \* = Restricted Codes  
 Status: M=Mandatory, R=Required, O=Optional, D=Dependent, A=Advised, N=Not used

## Segment Layout

No. Seg	St	Max. Occ.				
<b>SG10</b>	O	9999	CPS-SG11-SG17			
<b>SG11</b>	O	9999	PAC-MEA-SG13			
<b>SG13</b>	O	1000	PCI-SG15			
<b>SG15</b>	O	99	GIN			
45 <b>GIN</b>	M	1	Goods identity number			
To give specific identification numbers, either as single numbers or ranges.						
Business Term	DE	EDIFACT	Format	St	*	Description
	7405	Object identification code qualifier	an..3	M	*	BJ <b>Serial shipping container code</b>
	C208	Identity number range		M		
<b>Serial Shipping Container Code (SSCC)</b>	7402	Object identifier	an..35	M		
Segmentstatus: Optional This segment provides the SSCC to uniquely identify individual packages.  Example: GIN+BJ+340123450000000014' The SSCC is 340123450000000014						

Max. Occ. = Maximum Occurrence, St = Status, \* = Restricted Codes  
 Status: M=Mandatory, R=Required, O=Optional, D=Dependent, A=Advised, N=Not used

## Segment Layout

No.	Seg	St	Max.	Occ.			
46	<b>SG10</b>	O	9999		CPS-SG11-SG17		
	<b>SG17</b>	D	9999		LIN-PIA-QTY-DTM		
	<b>LIN</b>	M	1		Line item		
	To identify a line item and configuration.						
Business Term		DE	EDIFACT	Format	St	*	Description
Line item number		1082	Line item identifier	an..6	R		Application generated line item number
		1229	Action request/ notification description code	an..3	N		
		C212	Item number identification		D		
GTIN		7140	Item identifier	an..35	R		GTIN, Format n..14
		7143	Item type identification code	an..3	R	*	SRV <b>GS1 Global Trade Item Number</b>
<p>Segmentstatus: Mandatory                      This segment identifies the items contained in the consignment.                      Example: <b>LIN+1++4056786542381:SRV'</b>                      The carton contains the product with the GTIN 4056786542381.</p>							

Max. Occ. = Maximum Occurrence, St = Status, \* = Restricted Codes  
 Status: M=Mandatory, R=Required, O=Optional, D=Dependent, A=Advised, N=Not used

## Segment Layout

No.	Seg	St	Max.	Occ.	
47	<b>SG10</b>	O	9999		CPS-SG11-SG17
	<b>SG17</b>	D	9999		LIN-PIA-QTY-DTM
	<b>PIA</b>	O	1		Additional product id
To specify additional or substitutional item identification codes.					
Business Term	DE	EDIFACT	Format	St	* Description
	4347	Product identifier code qualifier	an..3	M	* 1 Additional identification
	C212	Item number identification		M	
Suppliers article number	7140	Item identifier	an..35	R	
	7143	Item type identification code	an..3	R	* SA Supplier's article number
	1131	Code list identification code	an..17	N	
	3055	Code list responsible agency code	an..3	R	91 Assigned by supplier or supplier's agent
<p>Segmentstatus: Optional                      This segment is used for additional identifications, here: Supplier's article number                      Example: PIA+1+ABC5343:SA: :91'                      The additional article identification is suppliers article number "ABC5343".</p>					

Max. Occ. = Maximum Occurrence, St = Status, \* = Restricted Codes  
 Status: M=Mandatory, R=Required, O=Optional, D=Dependent, A=Advised, N=Not used

## Segment Layout

No. Seg	St	Max. Occ.				
48	<b>SG10</b>	O 9999	CPS-SG11-SG17			
	<b>SG17</b>	D 9999	LIN-PIA-QTY-DTM			
	<b>PIA</b>	O 1	Additional product id			
To specify additional or substitutional item identification codes.						
Business Term	DE	EDIFACT	Format	St	*	Description
	4347	Product identifier code qualifier	an..3	M	*	1 <b>Additional identification</b>
	C212	Item number identification		M		
<b>Promotional product</b>	7140	Item identifier	an..35	R		
	7143	Item type identification code	an..3	R	*	PV <b>Promotional variant number</b>
	1131	Code list identification code	an..17	N		
	3055	Code list responsible agency code	an..3	O	*	9 <b>GS1</b>
Segmentstatus: Optional This segment is used to specify the promotional product.  Example: PIA+1+4056786542381:PV::9' The promotional product has the GTIN 4056786542381.						

Max. Occ. = Maximum Occurrence, St = Status, \* = Restricted Codes  
 Status: M=Mandatory, R=Required, O=Optional, D=Dependent, A=Advised, N=Not used



## Segment Layout

No.	Seg	St	Max. Occ.			
49	<b>SG10</b>	O	9999	CPS-SG11-SG17		
	<b>SG17</b>	D	9999	LIN-PIA-QTY-DTM		
	<b>PIA</b>	O	1	Additional product id		
To specify additional or substitutional item identification codes.						
Business Term	DE	EDIFACT	Format	St	*	Description
	4347	Product identifier code qualifier	an..3	M	*	1 Additional identification
	C212	Item number identification		M		
Batch number	7140	Item identifier	an..35	R		
	7143	Item type identification code	an..3	R	*	NB Batch number
	1131	Code list identification code	an..17	N		
	3055	Code list responsible agency code	an..3	R		91 Vergeben vom Lieferanten oder seinem Agenten
<p>Segmentstatus: Optional                      This segment is used for additional identifications, here: Batch number.                      Example: PIA+1+4381:NB::91'                      The batch number is 4381.</p>						

Max. Occ. = Maximum Occurrence, St = Status, \* = Restricted Codes  
 Status: M=Mandatory, R=Required, O=Optional, D=Dependent, A=Advised, N=Not used

## Segment Layout

No.	Seg	St	Max.	Occ.		
50	<b>SG10</b>	O	9999		CPS-SG11-SG17	
	<b>SG17</b>	D	9999		LIN-PIA-QTY-DTM	
	<b>QTY</b>	R	1		Quantity To specify a pertinent quantity.	
Business Term	DE	EDIFACT	Format	St	*	Description
	C186	Quantity details		M		
	6063	Quantity type code qualifier	an..3	M	*	12 Despatch quantity
Delivered quantity	6060	Quantity	an..35	M		
Unit of measurement	6411	Measurement unit code	an..3	D		KGM kilogram MTR metre LTR litre PCE Piece (GS1 Temporary Code) All code values of the codes list are allowed
<p>Segmentstatus: Mandatory                      This segment is used to specify the delivered quantity.                      DE 6411: This data element is only used if it is a quantity-variable article. If the data element is empty, it is always a piece.                      Example: QTY+12:20'                      The delivered quantity is 20 pieces.</p>						

Max. Occ. = Maximum Occurrence, St = Status, \* = Restricted Codes  
 Status: M=Mandatory, R=Required, O=Optional, D=Dependent, A=Advised, N=Not used

## Segment Layout

No.	Seg	St	Max.	Occ.			
51	<b>SG10</b>	O	9999		CPS-SG11-SG17		
	<b>SG17</b>	D	9999		LIN-PIA-QTY-DTM		
	<b>DTM</b>	O	1		Date/time/period To specify date, and/or time, or period.		
Business Term		DE	EDIFACT	Format	St	*	Description
		C507	Date/time/period		M		
		2005	Date or time or period function code qualifier	an..3	M	*	361 <b>Best before date</b>
	<b>Best before date</b>	2380	Date or time or period value	an..35	R		
		2379	Date or time or period format code	an..3	R		102 CCYYMMDD 203 CCYYMMDDHHMM
<p>Segmentstatus: Optional                      This segment can be used to provide the best before date.                      Example: <b>DTM+361:20160612:102'</b>                      The best before date is 12th of June 2016.</p>							

Max. Occ. = Maximum Occurrence, St = Status, \* = Restricted Codes  
 Status: M=Mandatory, R=Required, O=Optional, D=Dependent, A=Advised, N=Not used

## Segment Layout

No. Seg	St	Max. Occ.				
52	<b>UNT</b>	M 1	Message trailer To end and check the completeness of a message.			
Business Term	DE	EDIFACT	Format	St	*	Description
Total number of segments	0074	Number of segments in the message	n..6	M		
	0062	Message reference number	an..14	M		The reference number from the UNH segment must be repeated here.
<p>Segmentstatus: Mandatory                      This UNT segment is a mandatory UN/EDIFACT segment. It must always be the last segment in the message.</p> <p>Example: UNT+50+ME000001'                      The message contains 50 segments.</p>						

Max. Occ. = Maximum Occurrence, St = Status, \* = Restricted Codes  
 Status: M=Mandatory, R=Required, O=Optional, D=Dependent, A=Advised, N=Not used

## Segment Layout

No. Seg	St	Max. Occ.				
53	<b>UNZ</b>	M 1	Interchange trailer To end and check the completeness of an interchange.			
Business Term	DE	EDIFACT	Format	St	*	Description
End of the transmission file Number of messages or message groups	0036	Interchange control count	n..6	M		Number of messages or message groups in the transmission file.
Interchange control reference, end	0020	Interchange control reference	an..14	M		Interchange control reference, identical with UNB DE 0020.
<p>Segmentstatus: Mandatory                      The UNZ segment is the last segment of the transmission file.                      Note DE 0036:                      If functional groups are not used, this is the number of messages within the interchange.</p> <p>Example: UNZ+1+4711'                      The transmission file contains 1 message.</p>						

Max. Occ. = Maximum Occurrence, St = Status, \* = Restricted Codes  
 Status: M=Mandatory, R=Required, O=Optional, D=Dependent, A=Advised, N=Not used

**Used Codes**

<b>0001</b>	Syntax identifier Coded identification of the agency controlling a syntax and syntax level used in an interchange.  Notes: 1. a3, upper case, Controlling Agency (e.g. UNO=UN/ECE) and a1 stating level (e.g. A) (which together give UNOA).
UNOA	UN/ECE level A As defined in the basic code table of ISO 646 with the exceptions of lower case letters, alternative graphic character allocations and national or application-oriented graphic character allocations.
UNOB	UN/ECE level B As defined in the basic code table of ISO 646 with the exceptions of alternative graphic character allocations and national or application-oriented graphic character allocations.
UNOC	UN/ECE level C As defined in ISO 8859-1 : Information processing - Part 1: Latin alphabet No. 1.
UNOD	UN/ECE level D As defined in ISO 8859-2 : Information processing - Part 2: Latin alphabet No. 2.
UNOE	UN/ECE level E As defined in ISO 8859-5 : Information processing - Part 5: Latin/Cyrillic alphabet.
UNOF	UN/ECE level F As defined in ISO 8859-7 : Information processing - Part 7: Latin/Greek alphabet.
UNOG	UN/ECE level G As defined in ISO 8859-3 : Information processing - Part 3: Latin alphabet.
UNOH	UN/ECE level H As defined in ISO 8859-4 : Information processing - Part 4: Latin alphabet.
UNOI	UN/ECE level I As defined in ISO 8859-6 : Information processing - Part 6: Latin/Arabic alphabet.
UNOJ	UN/ECE level J As defined in ISO 8859-8 : Information processing - Part 8: Latin/Hebrew alphabet.
UNOK	UN/ECE level K As defined in ISO 8859-9 : Information processing - Part 9: Latin alphabet.

## Used Codes

UNOW	UN/ECE level W ISO 10646-1 octet with code extension technique to support UTF-8 (UCS Transformation Format, 8 bit) encoding.
UNOX	UN/ECE level X Code extension technique as defined by ISO 2022 utilising the escape techniques in accordance with ISO 2375.
UNOY	UN/ECE level Y ISO 10646-1 octet without code extension technique.
<b>0002</b>	Syntax version number Version number of the syntax identified in the syntax identifier (0001)  Notes: 1. Increments 1 for each version.
3	Version 3 ISO 9735 Amendment 1:1992. GS1 Description: Syntax version number 3. This code can be used with all of the character sets (A, B, C, D, E and F).
<b>0007</b>	Partner identification code qualifier Qualifier referring to the source of codes for the identifiers of interchanging partners.  Notes: 1. Used with sender/recipient identification code.
14	GS1 Partner identification code assigned by GS1, an international organization of GS1 Member Organizations that manages the GS1 System.
<b>0025</b>	Recipient's reference/password qualifier Qualifier for the recipient's reference or password.  Notes: 1. If specified in IA.
AA	Reference Recipient's reference/password is a reference.
BB	Password Recipient's reference/password is a password.

## Used Codes

---

<b>0029</b>	<p>Processing priority code</p> <p>Code determined by the sender requesting processing priority for the interchange.</p> <p>Notes: 1. Used if specified in IA.</p>
A	<p>Highest priority</p> <p>Requested processing priority is the highest.</p>
<b>0031</b>	<p>Acknowledgement request</p> <p>Code determined by the sender for acknowledgement of the interchange.</p> <p>Notes: 1. Set = 1 if sender requests acknowledgement, i.e. UNB and UNZ segments received and identified.</p>
1	<p>Requested</p> <p>Acknowledgement is requested.</p>
<b>0035</b>	<p>Test indicator</p> <p>Indication that the interchange is a test.</p> <p>Notes: 1. Set = 1 if the interchange is a test. Otherwise not used.</p>
1	<p>Interchange is a test</p> <p>Indicates that the interchange is a test.</p>
<b>0051</b>	<p>Controlling agency</p> <p>Code to identify the agency controlling the specification, maintenance and publication of the message type.</p>
UN	<p>UN/CEFACT</p> <p>United Nations Centre for Trade Facilitation and Electronic Business (UN/CEFACT).</p> <p>GS1 Description: UN Economic Commission for Europe (UN/ECE), Committee on the development of trade (TRADE), Working Party on facilitation of international trade procedures (WP.4).</p>
<b>0052</b>	<p>Message version number</p> <p>Version number of a message type.</p> <p>Notes: 1. If UNG/UNE is used, shall be identical in UNG and UNE. The representation of 0052 was specified as n..3 in version 1 of ISO 9735.</p>



## Used Codes

---

D	Draft version/UN/EDIFACT Directory Message approved and issued as a draft message (Valid for directories published after March 1993 and prior to March 1997). Message approved as a standard message (Valid for directories published after March 1997).
<b>0054</b>	Message release number Release number within the current message type version number (0052).  Notes: 1. The representation of 0054 was specified as n..3 in version 1 of ISO 9735.
01B	Release 2001 - B Message approved and issued in the second 2001 release of the UNTDID (United Nations Trade Data Interchange Directory).
<b>0057</b>	Association assigned code A code assigned by the association responsible for the design and maintenance of the message type concerned, which further identifies the message.
EAN007	GS1 version control number (GS1 Permanent Code)
<b>0065</b>	Message type Code identifying a type of message and assigned by its controlling agency.  Notes: 1. Type of message being transmitted.
DESADV	Despatch advice message A code to identify the despatch advice message. GS1 Description: A message specifying details for goods despatched or ready for despatch under agreed conditions. The United Nations Despatch Advice Message serves both as a specification for Delivery Despatch Advice and also as a Returns Despatch Advice message.
<b>1001</b>	Document name code Code specifying the document name.
351	Despatch advice Document/message by means of which the seller or consignor informs the consignee about the despatch of goods.
<b>1131</b>	Code list identification code Code identifying a user or association maintained code list.  Notes: 1. The codes for this data element are provided by the code list responsible agency defined in data element 3055.

## Used Codes

23	<p>Clearing house automated payment Self explanatory.</p> <p>Notes: This code value will be removed effective with directory D.04A. GS1 Description: Banking community' automated payment clearing system.</p>
25	<p>Bank identification Code for identification of banks.</p> <p>Notes: This code value will be removed effective with directory D.04A.</p>
106	<p>Incoterms 1980 (4110) Code to indicate applicable Incoterm (1980 edition) under which seller undertakes to deliver merchandise to buyer (ICC). Incoterms 1990: use 4053 only.</p> <p>Notes: This code value will be removed effective with directory D.04A.</p>
132	<p>Charge Identification of a type of charge.</p> <p>Notes: This code value will be removed effective with directory D.04A.</p>
154	<p>Bank branch sorting identification Identification of a specific branch of a bank.</p> <p>Notes: This code value will be removed effective with directory D.04A.</p>
157	<p>Clearing code Identification of the responsible bank/clearing house which has cleared or is ordered to do the clearing.</p> <p>Notes: This code value will be removed effective with directory D.04A.</p>
166	<p>Social security identification Code assigned by the authority competent to issue social security identification to identify a person.</p> <p>Notes: This code value will be removed effective with directory D.04A.</p>

**Used Codes**

174	Citizen identification Self explanatory.
	Notes: This code value will be removed effective with directory D.04A. GS1 Description: Code issued by national authority competent to issue citizen identification to identify a person.
1E	Incoterms 1990 (GS1 Temporary Code) Incoterms 1990 as published by the International Chamber of Commerce (ICC).
2E	Incoterms 2000 (GS1 Temporary Code) Incoterms 2000 as published by the International Chamber of Commerce (ICC).
3E	Incoterms 2010 (GS1 Temporary Code) Incoterms 2010 as published by the International Chamber of Commerce (ICC).
ADR	Accord Europeen au transport international dangereuses (GS1 Temporary Code) A European agreement concerning the international carriage of dangerous goods by road.
BR	Brand (GS1 Temporary Code) An identifying mark or label on the products of a particular company, or the kind or make of a commodity.
CA	Category (GS1 Temporary Code) A class or division in a scheme of classification.
CO	Colour (GS1 Temporary Code) Description of the colour required/available on the goods.
FL	Flavor (GS1 Temporary Code) The characteristic quality of goods.
HMT	Hazardous material standard text (GS1 Temporary Code) Code indicating agreed standard text on hazardous materials.
LOC	Location Code (GS1 Temporary Code) This is a code to indicate where the EAS tag is located on the Trade Item. Values include On outside of Trade Item, Concealed inside Trade Item, Integrated Inside Trade Item.
OAG	Organic Claim Agency (GS1 Temporary Code) A governing body that creates and maintain standards related to organic products.
OCO	Organic Trade Item Code (GS1 Temporary Code) Used to indicate the organic status of a trade item or of one or more of its components.

## Used Codes

OUM	Ordering unit of measure (GS1 Temporary Code) The alternate Unit of Measure of how Trade Items are ordered by the Retailer under one Unit of Measure, but sold under another Unit of Measure.
SRN	Service relation number (GS1 Temporary Code) A number used to identify a database entry which records recurring services, e.g., treatment of a patient in a hospital, usage by a member of a library facilities, etc.
ST	Style (GS1 Temporary Code) Specific or characteristic design in any goods.
SUM	Selling unit of measure (GS1 Temporary Code) Describes the measurement used for selling unit of the Trade Item to the end consumer.
SZ	Size (GS1 Temporary Code) Any of a series of graded classifications of measure into which goods are divided.
SZG	Size Group (GS1 Temporary Code) A description of the variable size that is necessary to uniquely specify the size of the item in conjunction with the nonpackaged size dimension.
TYP	Type Code (GS1 Temporary Code) This is a code to indicate the type of EAS tag located on the Trade Item. Values include Acousto-Magnetic, Electro-Magnetic, Ink or dye, Microwave, Radio Frequency.
X11	Diet Allergen (GS1 Temporary Code) Indication of which dietary or allergen marks that are on the package.
X12	Environment (GS1 Temporary Code) Indication of which environmental marks (e.g. recycling schemes) that are on trade item package.
X13	Ethical (GS1 Temporary Code) Indication of which ethical trading marks that are on the package.
X14	Free Form (GS1 Temporary Code) Indication of which free-from marks that are on the package.
X15	Expiration date (GS1 Temporary Code) Indicates the type of expiration date marked on the packaging.
X16	Nesting Direction (GS1 Temporary Code) Depicts the arrangement of two items that nest together specifically whether they nest against each other or on top of each other.
X17	Package Marks Hygienic (GS1 Temporary Code) Indication of which hygiene markings are present in the product package

**Used Codes**

X18	<p>Hazardous Components are Removable (GS1 Temporary Code)</p> <p>An indicator if any hazardous components contained within the trade item can easily be separated from the other materials to facilitate product recycling.</p>
X19	<p>Trade Item Has Refuse Obligations (GS1 Temporary Code)</p> <p>Indicates if there are special disposal obligations that apply to the trade item for example INTRASTAT.</p>
X20	<p>Trade Item Is Designed for Easy Disassembly (GS1 Temporary Code)</p> <p>Indicates that the trade item is designed for easy disassembly by recycling facilities using standard industry tools.</p>
X21	<p>Trade Item Is Rigid Plastic Packaging Container (GS1 Temporary Code)</p> <p>Indicates that a product is or is contained in a Rigid Plastic Packaging Container (RPPC) as defined by laws in the target market.</p>
X22	<p>Trade Item Is ROHS Compliant (GS1 Temporary Code)</p> <p>Indicates if the product is compliant with the European Union RoHS Directive.</p>
X23	<p>Trade Item Is Universal Waste (GS1 Temporary Code)</p> <p>Indicates if a product can be considered universal waste.</p>
X24	<p>Trade Item Is Consumer Upgradeable Or Maintainable (GS1 Temporary Code)</p> <p>Indicates if a product can be easily upgraded or have parts replaced by the consumer.</p>
X25	<p>Trade Item Contains Short Chain Chlorinated Paraffins (GS1 Temporary Code)</p> <p>Indicate if the trade item and/or its components contain paints, coatings, plastics or other materials containing short chain chlorinated paraffins (SCCPs).</p>
X26	<p>Trade Item Contains Pesticide (GS1 Temporary Code)</p> <p>Indicates if the trade item is advertised or labelled as a chemical or contains a chemical that is advertised or labelled to kill, repel or prevent the growth of any living organism.</p>
X27	<p>Trade Item Contains Propellant (GS1 Temporary Code)</p> <p>Indicates if a trade item contains a compressed gas or propellant.</p>
X28	<p>Trade Item Contains Polyvinyl Chloride (GS1 Temporary Code)</p> <p>Indicate if product contains Polyvinyl Chloride (PVC), a widely used thermoplastic polymer.</p>
X29	<p>Trade Item Chemical Is Not Intended For Human Consumption (GS1 Temporary Code)</p> <p>Indicates that the trade item is or contains a Liquid, Gel, Paste, Powder, or Flammable solid not intended for human consumption (ingested).</p>
X30	<p>ROHS Compliance Failure Material (GS1 Temporary Code)</p> <p>The material used in the trade item that does not comply with the ROHS Directives</p>

## Used Codes

X31	<p>Packaging Terms And Condition (GS1 Temporary Code)</p> <p>Indicates if the packaging given in the described packaging configuration is a rented, exchangeable, against deposit or one way/not reusable.</p>
X32	<p>Warranty Effective Date Type (GS1 Temporary Code)</p> <p>The type of date associated with the warranty trade item usually expressed as an event date for the item for example date of purchase, date of manufacture or date of delivery.</p>
X33	<p>Warranty Type (GS1 Temporary Code)</p>
X35	<p>Warranty Constraint (GS1 Temporary Code)</p>
X36	<p>Seasonal Availability End Date (GS1 Temporary Code)</p> <p>Indicates the end date of the trade item's seasonal availability.</p>
X37	<p>Seasonal Availability Start Date (GS1 Temporary Code)</p> <p>Indicates the start date of the trade item's seasonal availability.</p>
X38	<p>Season Calendar Year (GS1 Temporary Code)</p> <p>This element indicates the calendar year in which the trade item is seasonally available.</p>
X39	<p>Season Parameter (GS1 Temporary Code)</p> <p>Indication of the season, in which the trade item is available.</p>
X40	<p>Trade Item Automatic Power Down is Enabled (GS1 Temporary Code)</p> <p>An indicator whether a product is enabled with auto power down feature when shipped to the customer.</p>
X41	<p>Electrical Usage Agency Code (GS1 Temporary Code)</p> <p>The agency that regulates electrical usage for products within a target market.</p>
X42	<p>Nesting Type (GS1 Temporary Code)</p> <p>Depicts whether a nested item fits inside or over the other item in a nesting relationship.</p>
X43	<p>Display Dimension Type Code (GS1 Temporary Code)</p> <p>Depicts certain display scenarios used for measurement.</p>
X44	<p>Manufacturer Has Take Back Program (GS1 Temporary Code)</p> <p>Indicates if the manufacturer of the trade item offers any take back programs to consumers for the product to be reused, remanufactured or recycled by the manufacturer.</p>
X45	<p>Display Resolution (GS1 Temporary Code)</p> <p>The display resolution of a television or computer display.</p>
X46	<p>Orientation Preference Sequence (GS1 Temporary Code)</p> <p>Depicts the preferred sequence of orientation used to communicate the manufacturers relative preferences of orientation.</p>
X47	<p>Orientation Type (GS1 Temporary Code)</p> <p>Depicts via code a display orientation for a trade item.</p>

## Used Codes

X48	Electrical Usage Trade Item Classification Code (GS1 Temporary Code) A classification code value from a product classification scheme provided to drive required information for electrical usage.
X49	Electrical Usage Trade Item Classification Name (GS1 Temporary Code) A classification name from a product classification scheme provided to drive required information for electrical usage.
X50	Electrical Usage SubClassification Code (GS1 Temporary Code) A sub-classification code value from a product classification scheme provided to drive required information for electrical usage.
X51	Electrical Usage SubClassification Name (GS1 Temporary Code) A sub-classification name provided to drive required information for electrical usage.
X52	Confirmation Status Code (GS1 Temporary Code) The CIC Confirmation Code must be of a type of code number that can be generated automatically by a computer system.
X53	Confirmation Status Code Description (GS1 Temporary Code) Provides the code description that matches up with the Code that can possibly be generated automatically by a computer system.
X54	Additional Confirmation Status Description (GS1 Temporary Code) Provides a way to communicate human entered information that may not be covered by the machine to machine codes and descriptions.
X55	Corrective Action (GS1 Temporary Code) Provides the corrective action code to fix the issue that caused the problem.
X56	Expected Corrective Information (GS1 Temporary Code) Provides the expected corrective information via a human entered information that may not be covered by the machine to machine codes.
X57	Electrical Usage Trade Item Classification Agency (GS1 Temporary Code) A classification agency or organisation whose product classification scheme is being provided to drive required information for electrical usage.
X58	ASFIS (GS1 Permanent Code) FAO alph-3 code list for fish species identification, commercial name & scientific name.
X59	FAO fishing areas (GS1 Permanent Code) FAO fishing areas codelist.
X60	FAO Fishing gear type (GS1 Permanent Code) FAO Fishing gear type codelist.
X61	EU fish quality (GS1 Permanent Code) EU fish quality grade code list (E, A, B, C).
X62	EU fish size (GS1 Permanent Code) EU fish standardized size code list (1, 2, 3, 4, 5 & One_Size).

**Used Codes**

X63	EU fish presentation (GS1 Permanent Code) EU fish presentation code list (3 or 5 char alpha code).
ZZZ	Mutually defined Self explanatory.  Notes: This code value will be removed effective with directory D.04A.
<b>1153</b>	Reference code qualifier Code qualifying a reference.
AAQ	Unit load device (e.g. container) identification number [8260] Marks (letters and/or numbers) which identify a unit load device e.g. freight container.
AAS	Transport document number [1188] Reference assigned by the carrier or his agent to the transport document.
DQ	Delivery note number Reference number assigned by the issuer to a delivery note.
GN	Government reference number A number that identifies a government reference. GS1 Description: This code value should not be used to provide the tax identification number for a party (use code VA).
ON	Order number (buyer) [1022] Reference number assigned by the buyer to an order.
VN	Order number (supplier) Reference number assigned by supplier to a buyer's purchase order.
<b>1225</b>	Message function code Code indicating the function of the message.
1	Cancellation Message cancelling a previous transmission for a given transaction.
2	Addition Message containing items to be added. GS1 Description: Message containing items (e.g. line items, goods items, customs items, equipment items) to be added to a previously sent message or existing data base.



## Used Codes

3	Deletion Message containing items to be deleted. GS1 Description: Message containing items (e.g. line items, goods items, customs items, equipment items) to be deleted in a previously sent message or an existing data base.
4	Change Message containing items to be changed. GS1 Description: Message containing items (e.g. line items, goods items, customs items, equipment items) to be changed in a previously sent message or an existing data base.
5	Replace Message replacing a previous message.
6	Confirmation Message confirming the details of a previous transmission where such confirmation is required or recommended under the terms of a trading partner agreement.
7	Duplicate The message is a duplicate of a previously generated message.
9	Original Initial transmission related to a given transaction.
11	Response Message responding to a previous message or document.
12	Not processed Message indicating that the referenced message was received but not yet processed.
13	Request Code indicating that the referenced message is a request.
15	Reminder Repeated message transmission for reminding purposes.
16	Proposal Message content is a proposal.
17	Cancel, to be reissued Referenced transaction cancelled, reissued message will follow.
23	Transaction on hold Message not to be processed until further release information.
27	Not accepted Message to inform that the referenced message is not accepted by the recipient.

**Used Codes**

29	Accepted without amendment Referenced message is entirely accepted.
31	Copy Indicates that the message is a copy of an original message that has been sent, e.g. for action or information.
34	Accepted with amendment The referenced message is accepted but amended.
35	Retransmission Change-free transmission of a message previously sent.
42	Confirmation via specific means Message confirming a transaction previously agreed via other means (e.g. phone).
43	Additional transmission Message already transmitted via another communication channel. This transmission is to provide electronically processable data only.
45	Accepted with reserves Message accepted with reserves.
46	Provisional Message content is provisional.
47	Definitive Message content is definitive.
55	Notification only The receiver may use the notification information for analysis only.
60	No action since last message Code indicating the fact that no action has taken place since the last message.
<b>2005</b>	Date or time or period function code qualifier Code qualifying the function of a date, time or period.
17	Delivery date/time, estimated Date and/or time when the shipper of the goods expects delivery will take place.
137	Document/message date/time (2006) Date/time when a document/message is issued. This may include authentication.
171	Reference date/time Date/time on which the reference was issued.
361	Best before date The best before date.

**Used Codes**

<b>2379</b>	Date or time or period format code Code specifying the representation of a date, time or period.
2	DDMMYY Calendar date: D = Day; M = Month; Y = Year.
101	YYMMDD Calendar date: Y = Year; M = Month; D = Day.
102	CCYYMMDD Calendar date: C = Century ; Y = Year ; M = Month ; D = Day.
104	MMWW-MMWW A period of time specified by giving the start week of a month followed by the end week of a month. Data is to be transmitted as consecutive characters without hyphen.
107	DDD Day's number within a specific year: D = Day.
108	WW Week's number within a specific year: W = Week.
109	MM Month's number within a specific year: M = Month.
110	DD Day's number within is a specific month.
201	YYMMDDHHMM Calendar date including time without seconds: Y = Year; M = Month; D = Day; H = Hour; M = Minute.
203	CCYYMMDDHHMM Calendar date including time with minutes: C=Century; Y=Year; M=Month; D=Day; H=Hour; M=Minutes.
204	CCYYMMDDHHMMSS Calendar date including time with seconds: C=Century;Y=Year; M=Month; D=Day;H=Hour;M=Minute;S=Second.
401	HHMM Time without seconds: H = Hour; m = Minute.
501	HHMMHHMM Time span without seconds: H = Hour; m = Minute;.
502	HHMMSS-HHMMSS Format of period to be given without hyphen.
602	CCYY Calendar year including century: C = Century; Y = Year.

**Used Codes**

609	YYMM Month within a calendar year: Y = Year; M = Month.
610	CCYYMM Month within a calendar year: CC = Century; Y = Year; M = Month.
615	YYWW Week within a calendar year: Y = Year; W = Week 1st week of January = week 01.
616	CCYYWW Week within a calendar year: CC = Century; Y = Year; W = Week (1st week of January = week 01).
713	YYMMDDHHMM-YYMMDDHHMM Format of period to be given in actual message without hyphen.
715	YYWW-YYWW A period of time specified by giving the start week of a year followed by the end week of year (both not including century). Data is to be transmitted as consecutive characters without hyphen.
717	YYMMDD-YYMMDD Format of period to be given in actual message without hyphen.
718	CCYYMMDD-CCYYMMDD Format of period to be given without hyphen.
719	CCYYMMDDHHMM-CCYYMMDDHHMM A period of time which includes the century, year, month, day, hour and minute. Format of period to be given in actual message without hyphen.
720	DHHMM-DHHMM Format of period to be given without hyphen (D=day of the week, 1=Monday; 2=Tuesday; ... 7=Sunday).
801	Year To indicate a quantity of years.
802	Month To indicate a quantity of months.
803	Week To indicate a quantity of weeks.
804	Day To indicate a quantity of days.
805	Hour To indicate a quantity of hours.
806	Minute To indicate a quantity of minutes.

## Used Codes

810	Trimester To indicate a quantity of trimesters (three months).
811	Half month To indicate a quantity of half months.
21E	DDHHMM-DDHHMM (GS1 Temporary Code) Format of period to be given in actual message without hyphen.
<b>3035</b>	Party function code qualifier Code giving specific meaning to a party.
FW	Freight forwarder Party arranging forwarding of goods.
LSP	Logistic Service Provider (GS1 Temporary Code) A party providing logistic services for another party (e.g re-packing suppliers products) on products which may lead to added value for the product.
SF	Ship from Identification of the party from where goods will be or have been shipped.
SN	Store number A party keeping a shop or store. GS1 Description: Number allocated to identify a store.
SU	Supplier Party who supplies goods and/or services. GS1 Description: Party which provides service(s) and/or manufactures or otherwise has possession of goods, and consigns or makes them available in trade.
<b>3055</b>	Code list responsible agency code Code specifying the agency responsible for a code list.
2	CEC (Commission of the European Communities) Generic: see also 140, 141, 142, 162. GS1 Description: Commission of the European Communities
3	IATA (International Air Transport Association) The airline industry's international organisation. GS1 Description: International Air Transport Association
5	ISO (International Organization for Standardization) International Organization of Standardization.
6	UN/ECE (United Nations - Economic Commission for Europe) United Nations Economic Commission for Europe.

## Used Codes

7	CEFIC (Conseil European des Federations de l'Industrie Chimique) EDI project for chemical industry.
8	EDIFICE Standardised electronic commerce forum for companies with interests in computing, electronics and telecommunications. GS1 Description: EDI Forum for companies with Interest in Computing and Electronics (EDI project for EDP/ADP sector).
9	GS1 GS1 (formerly EAN International), an organisation of GS1 Member Organisations, which manages the GS1 System. GS1 Description: GS1 International.
10	ODETTE Organization for Data Exchange through Tele-Transmission in Europe (European automotive industry project).
17	S.W.I.F.T. Society for Worldwide Interbank Financial Telecommunications s.c.
28	EDITEUR (European book sector electronic data interchange group) Code identifying the pan European user group for the book industry as an organisation responsible for code values in the book industry.
60	Assigned by national trade agency The code list is from a national agency.
65	GS1 France Organisation responsible for GS1 System in France.
68	GS1 Italy Organisation responsible for GS1 System in Italy.
83	US, National Retail Federation The National Retail Federation is the trade association for the general merchandise retailing industry. In addition to providing support and education services, they also maintain and publish standard colour and size codes for the retail industry.
84	DE, BRD (Gesetzgeber der Bundesrepublik Deutschland) German legislature.
86	Assigned by party originating the message Codes assigned by the party originating the message.
87	Assigned by carrier Codes assigned by the carrier.
88	Assigned by owner of operation Assigned by owner of operation (e.g. used in construction).

## Used Codes

89	Assigned by distributor Codes assigned by a distributor.
90	Assigned by manufacturer Code assigned by the manufacturer.
91	Assigned by supplier or supplier's agent Codes assigned by a seller or seller's agent. GS1 Description: Code assigned by the supplier or supplier's agent.
92	Assigned by buyer or buyer's agent Codes assigned by a buyer or buyer's agent.
112	US, U.S. Census Bureau The Bureau of the Census of the U.S. Dept. of Commerce.
113	GS1 US Organisation responsible for GS1 System in the USA.
116	US, ANSI ASC X12 American National Standards Institute ASC X12.
131	DE, German Bankers Association German Bankers' Association.
136	GS1 UK Organisation responsible for GS1 System in the UK.
137	AT, Verband oesterreichischer Banken und Bankiers Austrian bankers association.
174	DE, DIN (Deutsches Institut fuer Normung) German standardization institute.
182	US, Standard Carrier Alpha Code (Motor) Organisation maintaining the SCAC lists and transportation operating in North America.
194	AU, AQIS (Australian Quarantine and Inspection Service) Australian Quarantine and Inspection Service.
200	GS1 Netherlands Organisation responsible for GS1 System in the Netherlands.
245	GS1 Denmark Organisation responsible for GS1 System in Denmark.
246	GS1 Germany Organisation responsible for GS1 System in Germany. GS1 Description: German representative of International Article Numbering association (GS1).

**Used Codes**

260	Ediel Nordic forum A code to identify Ediel Nordic forum, which is an organization standardizing the use of EDI between the participants in the Nordic power market.
281	GS1 Belgium & Luxembourg Organisation responsible for GS1 System in Belgium & Luxembourg.
286	SE, TCO (Tjänstemännens Central Organisation) The Swedish Confederation of Professional Employees.
294	GS1 Austria Organisation responsible for the GS1 System in Austria.
295	AU, Therapeutic Goods Administration Austrialian administration responsible for the regulation of therapeutic goods in Australia. EDIFACT
297	IT, Ufficio IVA Ufficio responsabile gestione partite IVA, Italy (Italian Institute issuing VAT registration numbers). EDIFACT
298	GS1 Spain Organisation responsible for the GS1 System in Spain.
316	GS1 Finland Organisation responsible for the GS1 system in Finland.
317	GS1 Brazil Organisation responsible for the GS1 system in Brazil.
324	GS1 Ireland Organisation responsible for the GS1 system in Ireland.
325	GS1 Russia Organisation responsible for the GS1 system in Russia.
326	GS1 Poland Organisation responsible for the GS1 system in Poland.
327	GS1 Estonia Organisation responsible for the GS1 system in Estonia.
376	PANTONE Color code controlling organisation
400	FAO (Food and Agriculture Organisation) Food and Agriculture Organisation of the United Nations.
CEN	Comite European de Normalisation (GS1 Temporary Code) Comite European de Normalisation.



## Used Codes

PMS	Pantone Matching System (GS1 Temporary Code) Pantone Matching System.
RAL	DE, Deutsches Institut fuer Guetesicherung und Kennzeichnung (GS1 Temporary Code)
TGA	AU, Therapeutic Goods Administration (GS1 Temporary Code) Australian administration responsible for the regulation of therapeutic goods in Australia.
X5	IT, Ufficio IVA (GS1 Temporary Code) Ufficio responsabile gestione partite IVA, Italy (Italian Institute issuing VAT registration numbers).
X6	Assigned by logistics service provider (GS1 Temporary Code) Codes assigned by the logistics service provider.
ZZZ	Mutually defined A code assigned within a code list to be used on an interim basis and as defined among trading partners until a precise code can be assigned to the code list.
<b>3227</b>	Location function code qualifier Code identifying the function of a location.
7	Place of delivery (3246) Place to which the goods are to be finally delivered under transport contract terms (operational term).
<b>4233</b>	Marking instructions code Code specifying instructions for marking.
33E	Marked with serial shipping container code (GS1 Temporary Code) Indication that the serial shipping container code has been marked on a package.
IEN	Package Identity Number (GS1 Temporary Code) Number uniquely identifying a package.
<b>4347</b>	Product identifier code qualifier Code qualifying the product identifier.
1	Additional identification Information which specifies and qualifies product identifications.
<b>6063</b>	Quantity type code qualifier Code qualifying the type of quantity.
12	Despatch quantity Quantity despatched by the seller.

## Used Codes

<b>6311</b>	Measurement purpose code qualifier Code qualifying the purpose of the measurement.
PD	Physical dimensions (product ordered) Specified measurement dimensions refer to physical dimensions of a product, material or package. GS1 Description: The restriction 'product ordered' can be ignored.
<b>6313</b>	Measured attribute code Code specifying the attribute measured.
A	Consolidated weight The measured consolidated weight.
AAA	Unit net weight GS1 Description: Weight (mass) of the goods without any packing.
AAB	Unit gross weight [6292] Weight (mass) of goods including packing but excluding the carrier's equipment.
AAC	Total net weight Total weight of goods excluding packaging. GS1 Description: "Total" in this code means the sum of the net weight of all items.
AAD	Total gross weight [6292] Weight (mass) of goods including packing but excluding the carrier's equipment. GS1 Description: "Total" in this code means the sum of the gross weight of all items.
AAJ	Number of units per pallet The number of units contained on a pallet. GS1 Description: An indication of the number of units on a loaded pallet. The value associated with this code is calculated by multiplying the number of units per layer by the number of layers on a pallet.
AAK	Fat content An indication of the fat content of a product.
AAL	Net weight GS1 Description: Weight (mass) of goods excluding packaging. GS1 usage note: The field of implementation of this code is the area of transport and related activities such as the preparation of goods into consignments for shipping.
AAO	Humidity Self-explanatory.

## Used Codes

AAP	Voltage Self-explanatory.
AAQ	Power consumption Value of energy consumption.
AAR	Heat dissipation Self-explanatory.
AAU	Operative temperature Temperature identified system or process works according to specifications.
AAW	Gross volume The observed volume unadjusted for factors such as temperature or gravity. GS1 Description: The usage of this code relates to the contents, e.g. gases or liquids that expand/contract under given circumstances.
AAX	Net volume The observed volume after adjustment for factors such as temperature or gravity. GS1 Description: The usage of this code relates to the contents, e.g. gases or liquids that expand/contract under given circumstances.
AAZ	Water content Water content in product.
ABF	Item width when unrolled The width of an item when unrolled.
ABG	Item length when unrolled The length of an item when unrolled.
ABH	Item area when unrolled The area occupied by an item when unrolled.
ABI	Original wort Measure of the malt and hops content of beer, before fermentation has taken place.
ABJ	Volume The amount of air space taken up by the entity identified in the 6311 qualifier. GS1 Description: The usage of this code relates to the cube of air that the package takes up.
ABK	Angle The angle of an object. EDIFACT
ABL	Peg hole horizontal distance from package leftmost edge Horizontal distance from the left most edge of the package to the center of the hole into which the peg is inserted. EDIFACT

## Used Codes

ABM	<p>Peg hole vertical distance from top</p> <p>Vertical distance from the top of the package to the top of the hole into which the peg is inserted.</p> <p>EDIFACT</p>
ABO	<p>Product strength, chemical</p> <p>The amount of the single active chemical ingredient within a product.</p> <p>EDIFACT</p>
ABP	<p>Product strength basis, chemical</p> <p>Amount of product used as the basis for the specification of the chemical product strength.</p> <p>EDIFACT</p>
ABQ	<p>Percentage of alcohol (by volume)</p> <p>The percentage of alcohol contained in a liquid.</p>
ACG	<p>Chargeable weight</p> <p>The weight on which charges are based.</p>
ACN	<p>Estimated gross weight</p> <p>Estimated weight (mass) of goods, including packing and excluding carrier's.</p> <p>GS1 Description: Estimated gross weight (mass) of goods, including packing and excluding carrier's equipment.</p>
ACP	<p>Estimated volume</p> <p>Estimated size or measure of anything in three dimensions.</p> <p>GS1 Description: The usage of this code relates to the cube of air that the package takes up.</p>
ACV	<p>Loading meters</p> <p>The length in a vehicle, whereby the complete width and height over that length is needed for the goods.</p>
ADJ	<p>Surface (GS1 Temporary Code)</p> <p>A measurement in relation a surface.</p>
ADX	<p>Transport container actual filling weight</p> <p>Actual filling weight of a transport container.</p>
ADY	<p>Transport container maximum capacity</p> <p>Maximum capacity of a transport container.</p>
ADZ	<p>Declared net weight</p> <p>The declared net weight of a product or products used for invoicing, customs or transport purposes.</p> <p>GS1 Description: The field of implementation of this code is the area of transport and/or customs.</p>
AEA	<p>Loading height</p> <p>Maximum height of products or packages loaded onto a given transportation device or equipment such as a pallet.</p>

## Used Codes

AEB	Stacking height Maximum height up to which the same product or package may be placed one upon the other for storage purposes.
AEI	Drained weight The weight of a product when all liquids used in the packaging of the product have been removed.
AEV	Acidity of juice Acid measurement of juice. GS1 Description: Acid number of juice of fruit measured with pH = 8.2.
AEW	Penetrometry Measurement of force required to drive a standard penetrating stamp.
AEX	Durofel Measurement of the elastic force using a standard penetrating stamp. GS1 Description: Measure of the elastic force of the pulp of a fruit. This is measured with a penetrating stamp and expressed as a percentage.
AEY	Juice weight per 100 grams Measurement of weight of juice, based on 100 grams of the entire weight. GS1 Description: Weight of juice, based on 100 grams of the entire fruit, expressed as a percentage.
AEZ	Fruit skin colour Measurement of the colouring of the epidermis of a fruit. GS1 Description: Colouring of the epidermis of a fruit measured with comparators. It indicates the maturity of the fruit or its commercial quality.
AFB	Durofel D10 Measure of the elastic force of the pulp of a fruit. It is measured with a penetrating stamp with diameter 10. GS1 Description: Measure of the elastic force of the pulp of a fruit. It is measured with a penetrating stamp with diameter 10. This measure is expressed as a percentage.
AFC	Durofel D25 Measure of the elastic force of the pulp of a fruit. It is measured with a penetrating stamp with diameter 25. GS1 Description: Measure of the elastic force of the pulp of a fruit. It is measured with a penetrating stamp with diameter 25. This measure is expressed as a percentage.

**Used Codes**

AFD	Durofel D50 Measure of the elastic force of the pulp of a fruit. It is measured with a penetrating stamp with diameter 50. GS1 Description: Measure of the elastic force of the pulp of a fruit. It is measured with a penetrating stamp with diameter 50. This measure is expressed as a percentage.
AFE	Maximum stacking weight The maximum weight which may be stacked upon a product or package without the product or packaging being crushed.
AFF	Gross measure cube The total cubic space occupied by an item, taking into account any protruding components, arrived at by multiplying the maximum length, width and height.
AFG	Percentage fat content in dry matter The percentage of fat content in dry matter.
AFH	Saccharometric content Measurement of the sugar content of a solution. EDIFACT
AFI	Hydrate content of an alcoholic product after bottling The hydrate content which occurs in an alcoholic product after bottling.
AFJ	Anhydrous content The non-water content. GS1 Description: Anydrous content of an alcoholic product.
AFT	Colour depth The number of distinct colours represented, e.g. in an image or in a display.
AFU	Colour depth, maximum The maximum number of distinct colours that can be represented, e.g. in an image or in a display.
AFV	Image resolution The level of detail of an image.
AFW	Device resolution, maximum The maximum level of detail produced by a device.
AFX	Acoustic absorption coefficient The portion of sound energy a surface absorbs, measured at different frequencies.
BNU	Peg hole number Used to identify the peg hole if more than one hole is present in the product or packaging.

## Used Codes

BNV	Number of inner packs Indicates the number of non coded physical groupings (inner packs) of next lower level trade items within the current trade item level.
BNW	Number of next level trade items within inner pack The number of next lower level trade items contained within the physical non-coded grouping (inner pack).
BNX	Number of trade items per pallet layer The number of trade items contained on a single layer of a pallet.
BNY	Packed items layer Height The height of a single layer of packed items.
BNZ	Packing material weight, skin tight covering The weight measurement of the packing material used for skin tight covering (e.g. when packaging prepared meats, poultry, cheese, and other food products).
BRB	Components labelled for recycling percentage Percentage of trade item components that clearly label how to facilitate product disassembly and recycling.
BRC	Renewable plastic components percentage, by net weight The percentage of the plastic components only made from rapidly renewable plant-based material by net weight of product.
BRD	Clamp pressure, required The pressure that should be applied by a clamp.
BUP	Number of base units per pallet (GS1 Temporary Code) The number of base units contained in a pallet.
CF1	Colony forming Unit (GS1 Temporary Code) Micro-organism colonies that are to be counted under determined conditions.
CT	Contents of package In combination with the other data elements of the actual segment this code indicates the measured content of a package.
DBX	Degree BRIX (GS1 Temporary Code) The rate of sugar.
DI	Diameter Diameter of an article.
DLL	Diluted liquid (GS1 Temporary Code) The volume of liquid which results after a dilution agent has been added, e.g. undiluted orange juice of 200ml, after dilution with water the volume of diluted liquid equals 1 litre.
DN	Density The measured density.

## Used Codes

DP	Depth The measured depth.
ENE	Energy efficiency (GS1 Temporary Code) A measurement of the energy efficiency of an article.
G	Gross weight [6292] Weight (mass) of goods including packing but excluding the carrier's equipment. GS1 Description: The field of implementation of this code is the area of transport and related activities such as the preparation of goods into consignments for shipping.
HT	Height dimension Numeric value of height.
HYE	Hydrate content (GS1 Temporary Code) Hydrate content of an alcoholic product.
ID	Inside diameter The measured inside diameter. GS1 Description: A measurement of the inside diameter of a roll, tube, pipe, or circle.
LAY	Number of layers (GS1 Temporary Code) Number of layers of a product or products within a package, container, pallet, etc. GS1 Description: Number of layers of a product or products within a package, container, pallet, etc.
LN	Length dimension (6168) Length of pieces or packages stated for transport purposes.
MDM	Maximum demand (GS1 Temporary Code) The highest demand recorded during the period of recording of usage of the supply.
NPL	Number of layers per pallet (GS1 Temporary Code) The number of layers per pallet.
NPP	Number of pallet places (GS1 Temporary Code) The number of pallet places needed to store or transport pallets (can be stacked).
OD	Outside diameter The measured outside diameter. GS1 Description: A measurement of the outside diameter of a roll, tube, pipe, or circle.
PMC	Package net measurement cube (GS1 Temporary Code) An indication of the net cubed measurement of a package.



**Used Codes**

PWF	Power factor (GS1 Temporary Code) The ration of the power dissipated (active power in kW) to the total power (which is the product of the input volts times amps given in kVa). When equipment which uses reactive power is being operated the power factor will be less than one.
RA	Relative humidity The measured relative humidity.
RJ	Rockwell C Hardness in the Rockwell C scale.
SAA	Product strength (GS1 Temporary Code) Product strength expressed as the absolute value of the active ingredient's amount.
SCC	Saccharometric content (GS1 Temporary Code) Saccharometric content of an alcoholic product.
SF	Stacking factor excluding bottom item (GS1 Temporary Code) Maximum number of items stackable upon each other, excluding the bottom item.
SPG	Specific gravity (GS1 Temporary Code)
SPV	Product strength basis (GS1 Temporary Code) Product measurement basis that contains the product strength.
SSZ	Step size (GS1 Temporary Code) An indication of measurements in which options contained within a Customer Specific Article are available, e.g. 10 metre planks of wood may be sold in step sizes of 2 metres.
T	Tare weight Weight excluding goods and loose accessories.
TC	Temperature A measurement in relation to temperature.
TH	Thickness The measured thickness.
TN	Time period Measurement of a specific length of time.
UCO	Units per package (GS1 Temporary Code) The number of identified units per package.
ULY	Number of units per layer (GS1 Temporary Code) Number of units of a product or package within one layer of a package, container, pallet, etc.
WD	Width dimension Numeric value of width.

**Used Codes**

WRM	Weight per running metre (GS1 Temporary Code) A code used to indicate the weight per running metre of floor coverings over floor area.
WSM	Weight per square metre (GS1 Temporary Code) A code used to indicate the weight per square metre of floor coverings over floor area.
X01	Acidity of meat (1 hour after slaughtering) The meat's acid quality or condition expressed as a pH value measured 1 hour after slaughtering.
X02	Acidity of meat (12 hours after slaughtering) The meat's acid quality or condition expressed as a pH value measured 12 hours after slaughtering.
X03	Acidity of meat (24 hours after slaughtering) The meat's acid quality or condition expressed as a pH value measured 24 hours after slaughtering.
X04	Acidity of meat (36 hour(s) after slaughtering) The meat's acid quality or condition expressed as a pH value measured 36 hours after slaughtering.
X05	Acidity of meat (48 hour(s) after slaughtering) The meat's acid quality or condition expressed as a pH value measured 48 hours after slaughtering.
X11	Angle (GS1 Temporary Code) The angle of an object.
X12	Area (GS1 Temporary Code) The area occupied by an item.
X13	Acidity of meat (GS1 Temporary Code) The meat's acid quality or condition expressed as a pH value.
X16	Slaughtering weight (GS1 Temporary Code) Warm weight after slaughter
X17	Stacking factor including bottom item (GS1 Temporary Code) Maximum number of items stackable upon each other, including the bottom item.
X1E	Number of units in the width of a layer (GS1 Temporary Code) Number of units of a product or package which make up the width of a layer in a package, container, pallet, etc.
X2E	Number of units in the depth of a layer (GS1 Temporary Code) Number of units of a product or package which make up the depth of a layer in a package, container, pallet, etc.

**Used Codes**

X6E	Nestable percentage (GS1 Temporary Code) Extent expressed as a percentage to which an item can be nested within an identical item.
X7E	Gross weight including carrier's equipment (GS1 Temporary Code) Weight (mass) of goods including packaging and the carrier's equipment. In this context 'carrier's equipment' means any material resources necessary to facilitate the transport and handling of the goods without having the ability to move by its own propulsion, e.g. pallet, container, etc. GS1 usage Note The field of implementation of this code is the area of transport and related activities such as the preparation of goods into consignments for shipping.
X8E	Peg hole horizontal distance from package leftmost edge (GS1 Temporary Code) Horizontal distance from the left most edge of the package to the center of the hole into which the peg is inserted.
X9E	Peg hole vertical distance from top (GS1 Temporary Code) Vertical distance from the top of the package to the top of the hole into which the peg is inserted.
ZWA	Waste content The measured waste content.

**6411**

Measurement unit code  
Code specifying the unit of measurement.

Notes:  
| 1. Recommend use UN/ECE Recommendation 20, Common code.

001	Barrel (205 litres, 45 gallons) (GS1 Temporary Code)
002	Degree days (GS1 Temporary Code)
003	Gigacaloric (GS1 Temporary Code)
04	small spray
23	gram per cubic centimetre GS1 Description: g/cm <sup>3</sup> as a unit of measure for the density of gas. This is necessary for dangerous substance articles for determination of the quantities that can be stored together on the shelf.
25	gram per square centimetre GS1 Description: A measure of weight in terms of gram per square centimetre.
28	kilogram per square metre GS1 Description: Unit of measure expressed in kilogram per square metre.
37	ounce per square foot
59	part per million

## Used Codes

64	Pound per square inch, gauge A unit of measure expressed in pound per square inch
2N	decibel
2X	metre per minute GS1 Description: A measure of speed in terms of metres per minute.
4K	milliampere
4L	megabyte GS1 Description: A unit of computer memory equal to 1.048.576 (i.e. 2 power 20) bytes.
4O	microfarad GS1 Description: One millionth of a farad. A farad is the capacitance of a capacitor between the plates of which a potential of 1 volt is created by a charge of 1 Coulomb.
4P	newton per metre
A25	cheval vapeur
A86	gigahertz GS1 Description: Hertz multiplied by 10*9.
A99	Bit A unit of information equal to one binary digit.
ACR	acre GS1 Description: Acre (4840 yd <sup>2</sup> )
AD	byte GS1 Description: A unit of information stored in a computer, equal to eight bits.
AMH	ampere hour GS1 Description: Ampere-hour (3,6kC)
AMP	ampere
AMT	Amount (GS1 Temporary Code) A measurement of monetary amount.
ANN	year GS1 Description: The expression of a year as a measure unit.
APX	Troy ounce (31.10348 g) (GS1 Temporary Code)
APZ	Troy ounce or apothecary ounce EDIFACT
ASM	alcoholic strength by mass GS1 Description: Alcoholic strength expressed by mass.

## Used Codes

ASU	alcoholic strength by volume GS1 Description: Alcoholic strength expressed by volume.
AV	capsule GS1 Description: Encapsuled dosage form for pharmaceuticals.
B13	Joule per square metre A unit of measure of heat energy expressed in joule per square metre.
B17	Credit A unit of count defining the number of entries made to the credit side of an account.
BAR	bar GS1 Description: A unit of measure equal to 106 dines per square centimeter.
BTU	British thermal unit GS1 Description: British thermal unit (1,055 kilojoules)
C0	call GS1 Description: Unit of measure for telephone calls. Code value is C0 (C Zero).
C60	ohm centimetre GS1 Description: Unit of measure expressed in Ohm centimetre.
C79	Kilovolt Ampere Hour A unit of accumulated energy of 1000 volt amperes over a period of one hour. EDIFACT
CDL	candela GS1 Description: Unit of measure of light intensity.
CEL	degree celsius
CF2	Colony forming unit per gram (GS1 Temporary Code) Colony forming units per gram is a unit of measure for micro-organisms, such as bacteria, in a food item. Micro-organisms form colonies that are be counted under determined conditions
CLT	centilitre GS1 Description: A unit of volume equal to one hundredth of a liter.
CMK	square centimetre
CMQ	cubic centimetre GS1 Description: A system of units for the measurement of volume based on the cubic centimetre.
CMT	centimetre

## Used Codes

D19	Square metre kelvin per watt Unit of measure of thermal insulance expressed in square metre kelvin per watt.
D21	square metre per kilogram GS1 Description: Unit of measure expressed in square metre per kilogram.
D32	Terawatt hour A unit of measure expressed in terawatt hour
D5	Kilogram per square centimetre A unit of measure expressed in kilogram per square centimetre
D55	Watt per square metre kelvin Unit of measure of thermal conductance expressed in watt per square metre kelvin.
D68	Number of Words A unit of count defining the number of words. EDIFACT
DAY	day GS1 Description: The expression of a day as a measure unit.
DD	degree GS1 Description: Unit of measure of temperature.
DMQ	cubic decimetre GS1 Description: Unit of measure expressed in cubic decimetre.
DMT	decimetre
DOS	Dose (GS1 Temporary Code) An amount of medicine, etc administered at one time.
DRG	Dragée (GS1 Temporary Code) Number of dragées (coated tablets) contained in the item's package as a measurement unit.
DZN	dozen GS1 Description: A unit of measure of 12 or group of 12.
E09	Milliampere hour A unit of power load delivered at the rate of one thousandth of an ampere over a period of one hour. EDIFACT
E10	Degree day A unit of measure used in meteorology and engineering to measure the demand for heating or cooling over a given period of days. EDIFACT

## Used Codes

E11	Gigacalorie A unit of heat energy equal to one thousand million calories. EDIFACT
E27	Dose A unit of count defining the number of doses (dose: a definite quantity of a medicine or drug). EDIFACT
E31	Square metre per litre A unit of count defining the number of square metres per litre. EDIFACT
E32	Litre per hour A unit of count defining the number of litres per hour. EDIFACT
E34	Gigabyte A unit of information equal to 10 E9 bytes.
E37	Pixel A unit of count defining the number of pixels (pixel: picture element).
E38	Megapixel A unit of count equal to 10 E6 (1000000) pixels (picture elements).
E39	Dots per inch A unit of information defining the number of dots per linear inch as a measure of the resolution or sharpness of an image. GS1 Description: synonym: pixels per inch.
EA	each
EV	envelope GS1 Description: A unit of measure pertaining to the number of envelopes.
FAH	degree Fahrenheit
FOT	foot GS1 Description: Foot (0,3048 m)
FP	Pound per square foot A unit of measure expressed in pound per square foot
FTK	Square foot A unit of measure expressed in square foot
FTQ	cubic foot
GL	gram per litre
GLI	gallon (UK) GS1 Description: Gallon (4,546092 dm3)

## Used Codes

GM	gram per square metre GS1 Description: Unit of measure of grams per square metre.
GRM	gram
GRO	gross GS1 Description: A unit of measure of 12 dozens.
GV	gigajoule
GWH	gigawatt hour GS1 Description: Gigawatt-hour (1 million kW/h)
H87	Piece A unit of count defining the number of pieces (piece: a single item, article or exemplar). EDIFACT
HLT	hectolitre
HMT	hectometre A unit of linear measure equal to 10 E2 metres.
HTZ	hertz GS1 Description: One cycle per second.
HUR	hour
INH	inch GS1 Description: Inch (25,4 mm)
INK	Square inch A unit of measure expressed in square inch
JM	Megajoule per cubic metre EDIFACT
JOU	joule
K51	Kilocalorie (mean) EDIFACT
KAH	Kilovolt Ampere Hour (GS1 Temporary Code) A unit of measure expressed in Kilovolt Ampere Hour.
KB	kilocharacter
KBA	kilobar
KCL	Kilocalorie (GS1 Temporary Code) Unit of measure for the calorific value of the item (= 1000 cal).
KEL	kelvin
KGM	kilogram



## Used Codes

KHZ	kilohertz
KJO	kilojoule
KL	kilogram per metre GS1 Description: A measure of weight in terms of kilogram per metre.
KMH	kilometre per hour GS1 Description: A unit of measure expressed in kilometre per hour.
KMQ	kilogram per cubic metre GS1 Description: A measure of weight in terms of kilogram per cubic metre.
KPA	kilopascal GS1 Description: Unit of measure expressed in kilopascal.
KTM	kilometre
KVA	kilovolt - ampere GS1 Description: A unit of electric power.
KVT	kilovolt
KWH	kilowatt hour
KWT	kilowatt
L2	litre per minute GS1 Description: Unit of measure expressed in litre per minute.
LBR	Pound EDIFACT
LD	Litre per day A unit of measure defining the number of litres per day.
LIH	Litre per hour (GS1 Temporary Code) Unit of measure expressed in litre per hour.
LNE	Printed line count (GS1 Temporary Code) The indication of the count of printed lines included on a paper communication (e.g. telegram) for invoicing purposes.
LTR	litre GS1 Description: Litre (1 dm <sup>3</sup> )
LUX	lux GS1 Description: Unit of measure of illumination (it corresponds to the illumination of a surface which normally and uniformly receives a light flow of 1 lumen per square meter).

**Used Codes**

M4	Monetary value A unit of measure expressed as a monetary amount. EDIFACT
MAL	mega litre
MAW	megawatt
MC	microgram One millionth of a gram.
MCU	millicurie GS1 Description: Unit of measure for radioactivity.
MGM	milligram
MHZ	megahertz
MIN	minute
MLT	millilitre
MMK	square millimetre GS1 Description: A unit to measure a surface equal to one millionth of a quadrate.
MMQ	cubic millimetre GS1 Description: A unit of measure expressed in cubic milimetres.
MMT	millimetre
MON	month GS1 Description: The expression of a month as a measure unit.
MPA	megapascal GS1 Description: A unit of measure expressed in Megapascal.
MQH	Cubic metre per hour A unit of measure defining the number of cubic metres per hour.
MTA	Micro farad (GS1 Temporary Code) One millionth of a farad. A farad is the capacitance of a capacitor between the plates of which a potential of 1 volt is created by a charge of 1 Coulomb.
MTK	square metre
MTQ	cubic metre
MTR	metre
MTS	Metre per second A unit of speed expressed in metres per second.
MWH	megawatt hour (1000 kW.h)
NAR	number of articles

**Used Codes**

NEW	newton GS1 Description: The SI unit of force, equal to the force that would give a mass of one kilogram an acceleration of one metre per second.
NIU	number of international units A unit of count defining the number of international units.
NRL	number of rolls
ONZ	ounce GS1 Description: Ounce GB, US (28,349523 g)
OZA	fluid ounce (US) GS1 Description: Fluid ounce US (29,5735 cm <sup>3</sup> )
OZI	fluid ounce (UK) GS1 Description: Fluid ounce UK (28,413 cm <sup>3</sup> )
P1	percent GS1 Description: This code is used to indicate measurements in terms of percentages, e.g. the relative humidity (code RA in data element 6313) is 52%.
PA	packet
PAL	pascal GS1 Description: The SI unit of pressure, equal to one Newton per square metre.
PCE	Piece (GS1 Temporary Code)
PF	pallet (lift) GS1 Description: A number of articles expressed in terms of pallets.
PND	Pound (GS1 Temporary Code)
PR	pair GS1 Description: Two articles which belong together but are not necessarily identical.
PTI	pint (UK) GS1 Description: Pint UK (0,568262 dm <sup>3</sup> )
PTN	Portion (GS1 Temporary Code) The identification of the number of portions (doses in medical terms) into which a complete product may be broken into for serving purposes, e.g. a pie with 6 portions, a liquid medicine with 20 doses.
QAN	quarter (of a year)
QTI	quart (UK) GS1 Description: Quart UK (1,1136523 dm <sup>3</sup> )

## Used Codes

RJH	Decanewton (GS1 Temporary Code) A unit of force equal to 10 Newton.
RPM	revolutions per minute
RTO	Ratio (GS1 Temporary Code)
SEC	second
SMI	Mile (statute mile) A unit of measure expressed in mile
SML	Square metre per litre (GS1 Temporary Code) Unit of measure expressed in square metre per litre.
ST	sheet
TNE	tonne (metric ton) GS1 Description: Metric ton (1000kg)
U2	tablet A unit of count defining the number of tablets (tablet: a small flat or compressed solid object). GS1 Description: Dosage form for pharmaceuticals, pressed or compacted from a powder into a solid dose.
UI	Unit of activity, predefined (GS1 Temporary Code) A measure pertaining to a predefined activity.
VI	vial GS1 Description: Small glass container. E.g. for a liquid medicine or perfume.
VLT	volt
WHR	watt hour
WRD	Word (GS1 Temporary Code) The specification of a word as a measurement unit, e.g. 21 words in a telex.
WTT	watt
YDK	Square yard A unit of measure expressed in square yard
YRD	yard GS1 Description: Yard (0,9144 m)
ZE	Milliampere hour (GS1 Temporary Code) A practical unit of quantity of electricity; the quantity that flows in one hour through a conductor carrying a current of 1 Ampere. 1 Ampere-hour is the equivalent to 36000 Coulombs.

## Used Codes

ZP	<p>page</p> <p>GS1 Description: The indication of a page as a measurement unit for invoicing purposes, e.g. fax pages.</p>
<b>7065</b>	<p>Package type description code</p> <p>Code specifying the type of package.</p> <p>Notes: 1. Recommend use UN/ECE Recommendation No. 21 (also, see current volume of UNTDED).</p>
08	<p>Oneway pallet (GS1 Temporary Code)</p> <p>Pallet need not be returned to the point of expedition.</p>
09	<p>Returnable pallet (GS1 Temporary Code)</p> <p>Pallet must be returned to the point of expedition.</p>
200	<p>Pallet ISO 0 - 1/2 EURO Pallet (GS1 Temporary Code)</p> <p>Standard pallet with dimensions 80 X 60 cm.</p>
201	<p>Pallet ISO 1 - 1/1 EURO Pallet (GS1 Temporary Code)</p> <p>Standard pallet with dimensions 80 X 120 cm.</p>
202	<p>Pallet ISO 2 (GS1 Temporary Code)</p> <p>Standard pallet with dimensions 100 X 120 cm.</p>
203	<p>1/4 EURO Pallet (GS1 Temporary Code)</p> <p>Standard pallet with dimensions 60 X 40 cm.</p>
204	<p>1/8 EURO Pallet (GS1 Temporary Code)</p> <p>Standard pallet with dimensions 40 X 30 cm.</p>
205	<p>Synthetic pallet ISO 1 (GS1 Temporary Code)</p> <p>A standard pallet with standard dimensions 80*120cm made of a synthetic material for hygienic reasons.</p>
206	<p>Synthetic pallet ISO 2 (GS1 Temporary Code)</p> <p>A standard pallet with standard dimensions 100*120cm made of a synthetic material for hygienic reasons.</p>
210	<p>Wholesaler pallet (GS1 Temporary Code)</p> <p>Pallet provided by the wholesaler.</p>
211	<p>Pallet 80 X 100 cm (GS1 Temporary Code)</p> <p>Pallet with dimensions 80 X 100 cm.</p>
212	<p>Pallet 60 X 100 cm (GS1 Temporary Code)</p> <p>Pallet with dimensions 60 X 100 cm.</p>
5L	<p>Bag, textile</p> <p>GS1 Description: A bag made of textile.</p>

## Used Codes

5M	<p>Bag, paper</p> <p>GS1 Description: A bag made of paper.</p>
AE	<p>Aerosol</p> <p>A spray can dispensing paint, furniture polish, etc, under pressure.</p>
AH	<p>Pallet 100cms * 110cms</p> <p>Standard sized pallet of dimensions 100centimeters by 110 centimeters (cms). EDIFACT</p>
AI	<p>Clamshell</p> <p>EDIFACT</p>
APE	<p>Aluminium packed (GS1 Temporary Code)</p> <p>Packaging using thin sheets of aluminium.</p>
AT	<p>Atomizer</p> <p>A device to shoot out a fine spray, e.g. medicine, perfume, etc.</p>
BA	<p>Barrel</p> <p>A wooden or plastic container with slightly bulging sides and flat ends.</p>
BC	<p>Bottlecrate, bottlerack</p> <p>A container for the storage or movement of bottles.</p>
BE	<p>Bundle</p> <p>A number of items grouped loosely together in a package by means of tying.</p>
BG	<p>Bag</p> <p>A non-rigid container made of fabric, paper, plastic, etc, with an opening at the top which can be closed.</p>
BGE	<p>Large bag, pallet sized (GS1 Temporary Code)</p> <p>A non-rigid container made of fabric, paper, plastic, etc, with an opening at the top which can be closed and which is suitable for use on pallets.</p>
BJ	<p>Bucket</p> <p>A container with a handle, used for carrying water, mayonnaise, etc.</p>
BL	<p>Bale, compressed</p> <p>A large bundle, as of cotton, hay, straw, etc, which is compressed and bound.</p>
BM	<p>Basin</p> <p>GS1 Description: A deep open container.</p>
BME	<p>Blister pack (GS1 Temporary Code)</p> <p>A transparent strip package of pressable plastic which allows the product to be displayed while remaining protected.</p>
BN	<p>Bale, non-compressed</p> <p>A large bundle, as of cotton, hay, straw, etc, which is not compressed or bound.</p>

**Used Codes**

BO	Bottle, non-protected, cylindrical A non-protected cylindrical container with a narrow neck made usually of glass or plastic which is especially used for liquids.
BR	Bar An oblong package, usually used for soap.
BRI	Brick (GS1 Temporary Code) A box made of a cardboard, plastic or metal, used for liquids.
BS	Bottle, non-protected, bulbous A non-protected cylindrical container with a bulbous base and a narrow neck made usually of glass or plastic which is especially used for liquids.
BU	Butt A large barrel or cask which is usually used to store or move liquids.
BX	Box A lidded package which can be made of cardboard, wood, plastic, tin, etc.
CA	Can, rectangular A rectangular container which is usually made of metal and has a separate cover.
CBL	Container bottle like (GS1 Temporary Code) A non-protected, non-cylindrical, container with a narrow neck made usually of glass or plastic which is especially used for liquids, e.g. perfume bottle.
CCE	Cardboard carrier (GS1 Temporary Code) A package made of cardboard.
CD	Can, with handle and spout GS1 Description: A can with a handle and spout which allows the lifting and pouring of liquids contained within the can.
CG	Cage A cage without wheels.
CM	Card A flat package usually made of fibreboard from/to which the product is often hung or attached. EDIFACT
CMS	Clamshell (GS1 Temporary Code) A package with a base and top that are hinged together. E.g. video cassette case.
CN	Container, not otherwise specified as transport equipment GS1 Description: A receptacle in which something is kept and/or transported.
CR	Crate A packaging case which is usually made of wooden slats.

**Used Codes**

CS	Case A package such as a box.
CT	Carton A cardboard box or container.
CU	Cup A small bowl shaped container for beverages, often with a handle.
CW	Cage, roll GS1 Description: A three sided cage mounted on wheels.
CX	Can, cylindrical A cylindrical container which is usually made of metal and has a separate cover.
CY	Cylinder A cylindrical container, which is usually made of cardboard and may have a separate cover.
D99	Sleeve A non-rigid container made of paper, cardboard or plastic that is open-ended and is slid over the contents for protection or presentation.
DA	Crate, multiple layer, plastic GS1 Description: Plastic crate which contains multiple layers.
DB	Crate, multiple layer, wooden GS1 Description: Wooden crate which contains multiple layers.
DC	Crate, multiple layer, cardboard
DG	Cage, Commonwealth Handling Equipment Pool (CHEP)
DH	Box, Commonwealth Handling Equipment Pool (CHEP), Eurobox
DJ	Demijohn, non-protected A large bulbous container made of glass with a narrow neck, which is especially used with liquids (oil, wine).
DK	Crate, bulk, cardboard
DL	Crate, bulk, plastic
DM	Crate, bulk, wooden
DN	Dispenser
DP	Demijohn, protected A large bulbous protected container made of glass with a narrow neck, which is especially used with liquids (oil, wine).
DPE	Display package (GS1 Temporary Code) A package used for the display of goods, usually during a promotion.



## Used Codes

DR	Drum A cylindrical container usually used for the storage and movement of oil.
DS	Tray, one layer no cover, plastic
DT	Tray, one layer no cover, wooden
DU	Tray, one layer no cover, polystyrene
DV	Tray, one layer no cover, cardboard
DW	Tray, two layers no cover, plastic tray
DX	Tray, two layers no cover, wooden
DY	Tray, two layers no cover, cardboard
EC	Bag, plastic
ED	Case, with pallet base
EE	Case, with pallet base, wooden
EF	Case, with pallet base, cardboard
EG	Case, with pallet base, plastic
EH	Case, with pallet base, metal
EI	Case, isothermic
EN	Envelope A non-rigid container, made of paper or plastic, that can be opened with a tear or a cut.
FOB	Folding box (GS1 Temporary Code) Folded cardboard box e.g for products like frozen vegetables, paper clips
FP	Filmpack Packaging using a clear thin plastic.
FPE	Foil packed (GS1 Temporary Code) Packaging using a metallic foil.
FT	Foodtainer
GB	Bottle, gas
HA	Basket, with handle, plastic
HB	Basket, with handle, wooden
HC	Basket, with handle, cardboard
HR	Hamper A large basket usually with a cover which is used to store different types of foodstuffs.
IA	Package, display, wooden
IB	Package, display, cardboard

## Used Codes

IC	Package, display, plastic
ID	Package, display, metal
IE	Package, show
IF	Package, flow
JC	Jerrican, rectangular A rigid rectangular container with a lid which is usually used for the storage and movement of oil, gasoline, etc.
JG	Jug A container used for storing and pouring the goods.
JR	Jar GS1 Description: A container made of glass, stone, earthenware or plastic with a large opening, which is used to store products, e.g. jams, cosmetics.
JT	Jutebag A bag made of strong fibres.
JY	Jerrican, cylindrical A rigid cylindrical container with a lid which is usually used for the storage and movement of oil, gasoline, etc.
LAB	Labeled package (GS1 Temporary Code) The package is labeled. Usually the label identifies the name, brand or description of the product within the package.
LG	Log
MPE	Multipack (GS1 Temporary Code) A container for the merchandising of multiple units of the same product.
NE	Unpacked or unpackaged A product merchandised or sold without packaging.
NU	Net, tube, plastic
NV	Net, tube, textile
OA	Pallet, CHEP 40 cm X 60 cm CHEP standard pallet of dimension 40 centimeters X 60 centimeters.
OB	Pallet, CHEP 80 cm X 120 cm CHEP standard pallet of dimension 80 centimeters X 120 centimeters
OC	Pallet, CHEP 100 cm X 120 cm CHEP standard pallet of dimension 100 centimeters X 120 centimeters
OD	Pallet, AS 4068-1993 Australian standard Pallet of dimensions 115.5 centimeters X 116.5 centimeters

## Used Codes

OE	Pallet, ISO T11 ISO standard pallet of dimensions 110 centimeters x110 centimeters, prevalent in Asia – Pacific region.
OF	Platform, unspecified weight or dimension A pallet equivalent shipping platform of unknown dimensions or unknown weight.
OPE	Oxygen packed (GS1 Temporary Code) A package with oxygen added for storage purposes.
PA	Packet Package type used for the smallest trade unit, e.g., a packet of 20 cigarettes, a packet of potato chips.
PAE	Paper (GS1 Temporary Code) An indication that the item(s) is packed in paper.
PB	Pallet, box
PC	Parcel A small wrapped package.
PD	Pallet, modular, collars 80cms * 100cms
PE	Pallet, modular, collars 80cms * 120cms
PG	Plate A smooth flat thin piece of metal, e.g. steel plate.
PJ	Punnet EDIFACT
PK	Package A wrapped or boxed item.
PL	Pail GS1 Description: An open-topped container usually made of metal or plastic, generally used to carry liquids.
PLP	Peel pack (GS1 Temporary Code) A package used for sterile products which may be torn open without touching the product inside.
PO	Pouch A small bag or sack.
POP	Cone shaped paper wrapper (GS1 Temporary Code) Cone shaped paper wrapping e.g. for an individually packed ice cream cone.
PPE	Polypropylene bag (GS1 Temporary Code) A bag made from polypropylene.
PU	Tray A board with a ring for carrying small articles.

## Used Codes

PUE	Tray packed in plastic (GS1 Temporary Code) A board with a ring packed in plastic carrying for small articles.
PUN	Punnet (GS1 Temporary Code) A small shallow basket usually made of plastic.
PX	Pallet
RB1	A wheeled pallet with raised rim (GS1 Temporary Code). 81 x 67 x 135 cm (length x width x height). A wheeled pallet with raised rim for the storing and transporting of loads. Dimensions: 81 x 67 x 135 cm (length x width x height).
RB2	A Wheeled pallet with raised rim (GS1 Temporary Code). 81 x 72 x 135 cm (length x width x height). A wheeled pallet with raised rim for the storing and transporting of loads. Dimensions: 81 x 72 x 135 cm (length x width x height).
RB3	Wheeled pallet with raised rim. 81 x 60 x 16 cm (length x width x height). (GS1 Temporary Code) A wheeled pallet with raised rim for the storing and transporting of loads. Dimensions: 81 x 60 x 16 cm (length x width x height).
RCB	Two sided cage on wheels with fixing strap (GS1 Temporary Code) 900 x 770 x 1513 cm (length x width x height) A two sided cage mounted on wheels with fixing strap. Dimensions: 900 x 770 x 1513 cm (length x width x height).
RG	Ring A hollow circular band of material wound around itself.
RJ	Rack, clothing hanger
RL	Reel A spool on which thread, wire, film, etc, is wound.
RO	Roll A package of goods wound into a ball or cylinder.
SA	Sack A large bag of coarse cloth for storing or moving grain, foodstuffs, etc.
SEC	Article Surveillance (GS1 Temporary Code) Equipped with article surveillance.
SH	Sachet A small sealed envelope.
SL	Slipsheet A firm sheet of plastic, cardboard or other material which may be hooked or attached to a forklift or other transportation equipment. The slipsheet is used to pull products stacked on top of it.
SO	Spool Any cylindrical piece on which something is wound.

## Used Codes

SP	Sheet, plastic wrapping EDIFACT
STL	Stick (GS1 Temporary Code) A container for dispensing solid substances, e.g. glue, deodorant.
SW	Shrinkwrapped A transport unit load whose contents are secured together through the use of transparent or semi-transparent filmwrap.
SX	Set
T1	Tablet A loose or unpacked article in the form of a bar, block or piece. EDIFACT
TAE	Tablet (GS1 Temporary Code) A small rectangular package of aluminium foil or paper, e.g. a tablet of chocolate.
TB	Tub A round, open, flat bottomed wooden container.
TEV	Tamper evident package (GS1 Temporary Code) A type of package giving easy or immediate recognition that the package has been tampered with after it has been sealed.
THE	Three pack (GS1 Temporary Code) A package containing three products.
TL	Tub, with lid EDIFACT
TRE	Trolley (GS1 Temporary Code) A low cart for the transportation and storage of groceries, milk, etc.
TTE	Tube, standing (GS1 Temporary Code) A screw-topped pliable cylinder capable of standing and suitable for holding pastes or semi-liquids, e.g. a tube of toothpaste.
TU	Tube A screw-topped pliable cylinder suitable for holding pastes or semi-liquids, e.g. a tube of toothpaste.
TV	Tube, with nozzle
TWE	Two pack (GS1 Temporary Code) A package containing two products.
TY	Tank, cylindrical A cylindrical container suitable for the storage or transportation of liquids or gases.
UUE	Tube net (GS1 Temporary Code) A plastic or textile tube suitable for carrying loose products, e.g. fruit.

## Used Codes

UVQ	<p>Wrapped in plastic sheet (GS1 Temporary Code)</p> <p>An indication that the items have been wrapped in plastic sheet.</p>
VI	<p>Vial</p> <p>Small (usually glass) container. E.g. for a liquid medicine or perfume.</p>
VP	<p>Vacuumpacked</p> <p>A package from which all air has been removed in order to keep the contents fresh.</p>
WRP	<p>Wrapper (GS1 Temporary Code)</p> <p>Wrapping e.g. for an individually packed ice cream.</p>
X10	<p>Tub with lid (GS1 Temporary Code)</p> <p>A small, usually plastic, container with a lid for food, e.g. ice cream.</p>
X11	<p>Banded package (GS1 Temporary Code)</p> <p>A package with bands, usually metal or nylon, round it to hold the products together.</p>
X12	<p>Cardboard package with grip holes for bottles (GS1 Temporary Code)</p> <p>Cardboard package with a number of holes. Each hole is to be gripped tightly around the neck of a bottle.</p>
X14	<p>Card (GS1 Temporary Code)</p> <p>A flat package usually made of fibreboard from/to which the product is often hung or attached.</p>
X15	<p>Oneway pallet ISO 0 - 1/2 EURO Pallet (GS1 Temporary Code)</p> <p>Oneway pallet with dimensions 80 X 60 cm.</p>
X16	<p>Oneway pallet ISO 1 - 1/1 EURO Pallet (GS1 Temporary Code)</p> <p>Oneway pallet with dimensions 80 X 120 cm.</p>
X17	<p>Pallet with exceptional dimensions (GS1 Temporary Code)</p> <p>Pallet with non-standard dimensions.</p>
X18	<p>Parcel with exceptional dimensions (GS1 Temporary Code)</p> <p>Parcel with non-standard dimensions.</p>
X3	<p>Standard stack of stones (GS1 Temporary Code)</p> <p>Standard stack of stones.</p>
X9	<p>Pallet 100 X 110 cm (GS1 Temporary Code)</p> <p>Pallet with dimensions 100 X 110 cm.</p>
<b>7073</b>	<p>Packaging terms and conditions code</p> <p>Code specifying the packaging terms and conditions.</p>
1	<p>Packaging cost paid by supplier</p> <p>The cost of packaging is paid by the supplier.</p>

**Used Codes**

2	Packaging cost paid by recipient The cost of packaging is paid by the recipient.
3	Packaging cost not charged (returnable) There is no charge for packaging because it is returnable.
24	Rented The package has been, or will be, rented. EDIFACT
25	Safe return deposit A deposit paid to guarantee the safe return of the package.
26	Not reusable The package is not reusable. GS1 Description: The equipment may only be used once and is not reusable for the purpose for which it was designed.
27	Package exchangeable at the point of delivery The package may be exchanged at the point of delivery.
29	Labeled The package is labeled. EDIFACT
1E	Unpack from (GS1 Temporary Code) Code identifying that goods should be unpacked from the identified package.
2E	Repack in (GS1 Temporary Code) Code identifying that goods should be repacked from the identified package.
3E	Pack in (GS1 Temporary Code) Code identifying that goods should be packed from the identified package.
4E	Rented (GS1 Temporary Code) The package has been/will be rented from a rental agency (e.g. CHEP pallets).
LAB	Labeled (GS1 Temporary Code) The package is labeled.
X11	Packaging recycling fee paid by supplier (GS1 Temporary Code) The fee for recycling packaging is paid by the supplier.
XX1	Exchange Pallets (GS1 Temporary Code)
XX2	Return Pallets (GS1 Temporary Code)
XX3	Pallet - Third Party Exchange (GS1 Temporary Code)
XX4	No Exchange / No Return Pallet (GS1 Temporary Code)
<b>7077</b>	Description format code Code specifying the format of a description.

## Used Codes

A	Free-form long description Long description of an item in free form.
B	Code and text Description of an item in coded and free form text.
C	Code (from industry code list) Description of an item in coded format. GS1 Description: Description of an item provided in coded format from an industry list.
D	Free-form price look up Price look-up description of a product for point of sale receipts.
E	Free-form short description Short description of an item in free form.
F	Free-form Description of an item in free form text. GS1 Description: Item related general free form text description, which is neither a short or long description of the item itself.
S	Structured (from industry code list) Description of an item in a structured format.
<b>7143</b>	Item type identification code Coded identification of an item type.
NB	Batch number The item number is a batch number. GS1 Description: Number supplementing the identification code of a product used to identify the specific production place and/or time of a product.
PV	Promotional variant number The item number is a promotional variant number. GS1 Description: Number supplementing the identification code of a product and identifying that product as a variant of the standard product. To be used when the variation is not sufficiently significant to justify a change to the main identification code of the product.
SA	Supplier's article number Number assigned to an article by the supplier of that article.
SRV	GS1 Global Trade Item Number A unique number, up to 14-digits, assigned according to the numbering structure of the GS1 system. 'GS1' stands for the 'Global Standards One'.
<b>7233</b>	Packaging related description code Code specifying information related to packaging.



## Used Codes

1	Product ingredients not marked on package The ingredients of the product are not marked on the packaging of the product.
2	Product price not marked on packaging The product price is not marked on the packaging of the product.
3	Product best before date not marked on product package The product best before date is not marked on the packaging of the product.
4	Package not marked recyclable Package is not marked as recyclable.
5	Promotional details marked A code indicating that promotional details have been marked on the package.
7	Sell-by date marked on package The package is marked with the last date on which the item may be sold.
8	Use-by date marked on package The package is marked with the last date on which the item may be used.
9	Packaging / manufacturing date marked on package The package is marked with the date of the packaging or manufacturing of the item.
10	No freshness date marked on package Package is not marked with any kind of date indicating freshness, such as use-by, best before or packaging date.
31	Package best before date marked Package is marked with the product best before date.
32	Package marked recyclable The package is marked recyclable.
33	Package marked returnable The package is marked returnable.
50	Package barcoded EAN-13 or EAN-8 The package is barcoded with EAN-13 or EAN-8 code.
51	Package barcoded ITF-14 The package is barcoded with ITF-14 code.
52	Package barcoded UCC or EAN-128 The package is barcoded with UCC or EAN-128 code.
53	Package price marked The package is marked with the price.
54	Product ingredients marked on package The ingredients of the product contained in a package are marked on that package.

**Used Codes**

64	Package never EPC tagged. The package will never be tagged with an EPC (Electronic Product Code) transponder.
65	Package sometimes EPC tagged The package will sometimes be tagged with an EPC (Electronic Product Code) transponder.
78	Package bar-coded and EPC tagged The package is bar-coded and tagged with an EPC (Electronic Product Code) transponder.
79	Package EPC tagged only The package is tagged with an EPC (Electronic Product Code) transponder only.
80	Marked with "display until date" Package is marked with the date by which the product should be removed from the display location.
81	Package marked with a variable measure barcode The package is marked with a variable measure barcode.
82	Package marked with fixed measure barcode The package is marked with a fixed measure barcode.
LAB	Labeled according to General GS1 Specifications for clothing and fashion accessories (GS1 Temporary Code) The item is labeled according to the General GS1 Specifications for clothing and fashion accessories.
NAB	Not labeled acc. to GS1 (GS1 Temporary Code) Specifications for clothes and fashion accessoires
NBR	Not barcoded (GS1 Temporary Code) The package is not barcoded.
RL1	Peg hole round 1 (GS1 Temporary Code) The item's packaging has a round peg hole. (European norm DIN EN 13010:2003 (substitute for DIN 55512-1:1984-12))
SL1	Peg hole slot hole 1 (GS1 Temporary Code) The item's packaging has a slot peg hole of type 1. (European norm DIN EN 13010:2003 (substitute for DIN 55512-1:1984-12))
SL3	Peg hole slot hole 3 (GS1 Temporary Code) The item's packaging has a slot peg hole of type 3. (European norm DIN EN 13010:2003 (substitute for DIN 55512-1:1984-12))
X01	Composite Component A (GS1 Temporary Code)
X02	Composite Component B (GS1 Temporary Code)
X03	Composite Component C (GS1 Temporary Code)
X04	RSS-14 (GS1 Temporary Code)

## Used Codes

X05	RSS-14 Stacked (GS1 Temporary Code)
X06	RSS-14 Staked omnidirectional (GS1 Temporary Code)
X07	RSS-14 Truncated (GS1 Temporary Code)
X08	RSS expanded (GS1 Temporary Code)
X09	RSS expanded truncated (GS1 Temporary Code)
X10	RSS limited (GS1 Temporary Code)
X11	UPC A symbol (GS1 Temporary Code)
X12	UPC E Symbol (GS1 Temporary Code)
X13	EANUCC 14 Symbol (GS1 Temporary Code)
X14	Package not marked returnable (GS1 Temporary Code) Trade item has no returnable packaging.
X15	Gift wrapping (GS1 Temporary Code) Trade item is packaged in a gift wrapping.
X16	Greeting card (GS1 Temporary Code) Trade item is accompanied by a greeting card.
<b>7405</b>	Object identification code qualifier Code qualifying the identification of an object.
BJ	Serial shipping container code GS1 Description: A single unique serial number which identifies shipping containers or shipping packages.
<b>8053</b>	Equipment type code qualifier Code qualifying a type of equipment.
08	Oneway pallet (GS1 Temporary Code) Pallet need not be returned to the point of expedition.
09	Returnable pallet (GS1 Temporary Code) Pallet must be returned to the point of expedition.
200	Pallet ISO 0 - 1/2 EURO Pallet (GS1 Temporary Code) Standard pallet with dimensions 80 X 60 cm.
201	Pallet ISO 1 - 1/1 EURO Pallet (GS1 Temporary Code) Standard pallet with dimensions 80 X 120 cm.
202	Pallet ISO 2 (GS1 Temporary Code) Standard pallet with dimensions 100 X 120 cm.
203	1/4 EURO Pallet (GS1 Temporary Code) Standard pallet with dimensions 60 X 40 cm.

**Used Codes**

204	1/8 EURO Pallet (GS1 Temporary Code) Standard pallet with dimensions 40 X 30 cm.
210	Wholesaler pallet (GS1 Temporary Code) Pallet provided by the wholesaler.
211	Pallet 80 X 100 cm (GS1 Temporary Code) Pallet with dimensions 80 X 100 cm.
212	Pallet 60 X 100 cm (GS1 Temporary Code) Pallet with dimensions 60 X 100 cm.
AA	Ground equipment Ground equipment being fuelled or serviced.
AP	Clothing hanger rack Equipment used to store and transport clothing in a hanging position.
BC	Bottlecrate, bottlerack (GS1 Temporary Code) A container for the storage or movement of bottles.
BO	Bottle, non-protected, cylindrical (GS1 Temporary Code) A non-protected cylindrical container with a narrow neck made usually of glass or plastic which is especially used for liquids.
BOX	Box (GS1 Temporary Code) A lidded package which can be made of cardboard, wood, plastic,tin,etc.
BPN	Box pallet non exchangeable A box pallet which cannot be exchanged. GS1 Description: A box pallet which cannot be exchanged.
BPZ	Roll Pallet 1 80 X 60 cm pallet on casters.
BX	Boxcar An enclosed railway goods wagon. GS1 Description: An enclosed railway goods wagon.
CH	Chassis A wheeled carriage onto which an ocean container is mounted for inland conveyance.
CHB	CHEP Eurobox (GS1 Temporary Code) A box mounted on a pallet base under the control of CHEP.
CN	Container Equipment item as defined by ISO for transport. It must be of: A) permanent character, strong enough for repeated use; B) designed to facilitate the carriage of goods, by one or more modes of transport, without intermediate reloading; C) fitted with devices for its ready handling, particularly.

**Used Codes**

CS	Case (GS1 Temporary Code) A package such as a box.
DPB	Roll Pallet 2 120 X 60 cm pallet on casters.
DPE	Display package (GS1 Temporary Code) A package used for the display of goods, usually during a promotion.
EFP	Exchangeable EUR flat pallet Self explanatory. GS1 Description: Self explanatory.
EYP	Exchangeable EUR Y box pallet Self explanatory. GS1 Description: Self explanatory.
FPN	Flat pallet EUR non exchangeable Self explanatory. GS1 Description: Self explanatory.
ICA	Isothermic case (GS1 Temporary Code) A case used for products which require constant temperature control.
LU	Load/unload device on equipment A mechanical device used in the loading and/or unloading of cargo into and from transport equipment.
PA	Pallet A platform on which goods can be stacked in order to facilitate the movement by a forklift or sling.
PL	Platform A piece of equipment normally having a flat surface, or prepared for carrying cargo with a specific shape.
PMA	Pallet modular collars 80*100 (GS1 Temporary Code) Collars, with the dimensions 80cms * 100cms, which when fitted onto a pallet enable the pallet to be transformed into a box pallet with, if necessary, a lid.
PMB	Pallet modular collars 80*120 (GS1 Temporary Code) Collars, with the dimensions 80cms * 120cms, which when fitted onto a pallet enable the pallet to be transformed into a box pallet with, if necessary, a lid.
PU	Tray (GS1 Temporary Code) A flat receptacle with low sides for carrying or holding articles.
RCA	Roll cage (GS1 Temporary Code) A three sided cage mounted on wheels.

## Used Codes

---

RG	Reefer generator A generator used to control the temperature in temperature-controlled transport equipment.
RR	Rail car To identify that the equipment is a rail car. GS1 Description: Registered identification number of railway wagon (CIM 19).
SW	Swap body Rectangular equipment unit without wheels, which can be mounted on a chassis or positioned on legs.
TE	Trailer A vehicle without motive power, designed for the carriage of cargo and to be towed by a motor vehicle.
TRE	Trolley (GS1 Temporary Code) A low cart for the transportation and storage of groceries, milk, etc.
UL	ULD (Unit load device) An aircraft container or pallet.

## Example

---

**UNA:+.?'**

The UNA segment contains the default service string characters.

---

**UNB+UNOC:3+4012345000009:14:4012345000018+4000004000002:14:4000004000099+161013:1043+4711+REF:AA++++EANCOM+1'**

The EANCOM file 4711 dated 13.10.2016, 10 h 43 is sent by the issuer identified with GLN 4012345000009 to the receiver identified with GLN 4000004000002.

---

**UNH+ME000001+DESADV:D:01B:UN:EAN007'**

The reference number of the DESADV message is ME0001.

---

**BGM+351+DES587421+9'**

The document number is DES587421.

---

**DTM+137:20160823:102'**

The document date is the 23th of August 2016.

---

**DTM+17:20160504:102'**

The estimated delivery date is 4th of May 2016.

---

**RFF+ON:3425'**

The message references to buyers order number 3425.

---

**DTM+171:20160401:102'**

The order date is the 1th of April 2016.

---

**RFF+VN:12678'**

The order number of the goods source is 12678.

---

**RFF+AAS:56373'**

The transport document number s 56373.

---

**RFF+DQ:3546'**

The message references to delivery note number 3546.

---

**RFF+AAQ:456873'**

The transport mode number is 456873.

---

**NAD+SN+4312345001205::9+:X:X:X:X'**

The warehouse is identified by GLN 4312345001205.

---

**LOC+7+5412345123472::9'**

The additional identification of the warehouse 5412345123472.

---

**RFF+GN:HRB-471111'**

German Statements on business letters: HRB-471111.

---

**NAD+SF+4000012513563::9+:X:X:X:X'**

The Place of loading is identified by GLN 4000012513563.

---

**RFF+GN:HRB-471111'**

German Statements on business letters: HRB-471111.

---

**NAD+SU+4071615111110::9+:X:X:X:X'**

The supplier is identified by GLN 4071615111110.

---

**RFF+GN:HRB-471111'**

German Statements on business letters: HRB-471111.

---

**NAD+FW+4212345000005::9+:X:X:X:X'**

The freight forwarder is identified by GLN 4212345000005.

---

**RFF+GN:HRB-471111'**

## Example

---

German Statements on business letters: HRB-471111.

---

**NAD+LSP+4212345000005::9+:X:X:X:X'**

The logistic service provider is identified by GLN 44212345000005.

---

**RFF+GN:HRB-471111'**

German Statements on business letters: HRB-471111.

---

**EQD+CN+93221'**

The unit load device is a container with the number 93221.

---

**SEL+14526'**

The seal number connected to the equipment is 93221.

---

**CPS+1'**

First level of the consignment hierarchy.

---

**PAC+10+:52+201::9'**

The consignment item comprises 10 EURO pallets.

---

**MEA+PD+AAD+KGM:10'**

The gross weight is 10 kg.

---

**MEA+PD+AAW+MTQ:15'**

The gross volume is 1 cubic metre.

---

**MEA+PD+HT+CMT:1500'**

The height of the consignment is 1500 centimeters.

---

**CPS+2+1'**

Second consignment level, first pallet.

---

**PAC+1+:52:27+201::9'**

This consignment line contains 1 EURO pallet.

---

**MEA+PD+AAD+KGM:5'**

The gross weight is 5 kg.

---

**MEA+PD+AAW+MTQ:1'**

The gross volume is 1 cubic metre.

---

**MEA+PD+HT+MMT:1050'**

The total height is 1050 mm.

---

**PCI+33E'**

Marking with SSCC.

---

**GIN+BJ+340123450000000014'**

The SSCC is 340123450000000014

---

**PCI+IEN+12337616644'**

Package identification

---

**CPS+3+2'**

Third consignment level, first carton.

---

**PAC+1++CT'**

This consignment line contains 1 carton.

---

**MEA+PD+AAD+KGM:5'**

The gross weight of the carton is 5 kg.

---

**MEA+PD+AAW+MTQ:1'**

The gross volume is 1 cubic metre.

---



## Example

---

**MEA+PD+HT+CMT:20'**

The height of the carton is 20 centimeters.

---

**PCI+33E'**

Marking with SSCC.

---

**GIN+BJ+340123450000000014'**

The SSCC is 340123450000000014

---

**LIN+1++4056786542381:SRV'**

The carton contains the product with the GTIN 4056786542381.

---

**PIA+1+ABC5343:SA::91'**

The additional article identification is suppliers article number "ABC5343".

---

**PIA+1+4056786542381:PV::9'**

The promotional product has the GTIN 4056786542381.

---

**PIA+1+4381:NB::91'**

The batch number is 4381.

---

**QTY+12:20'**

The delivered quantity is 20 pieces.

---

**DTM+361:20160612:102'**

The best before date is 12th of June 2016.

---

**UNT+50+ME000001'**

The message contains 50 segments.

---

**UNZ+1+4711'**

The transmission file contains 1 message.

---